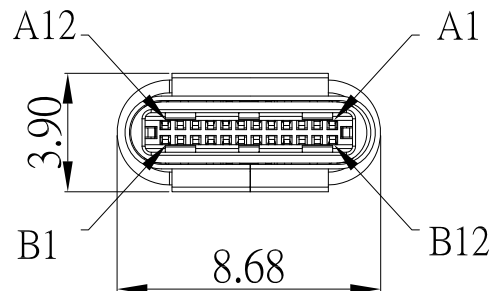
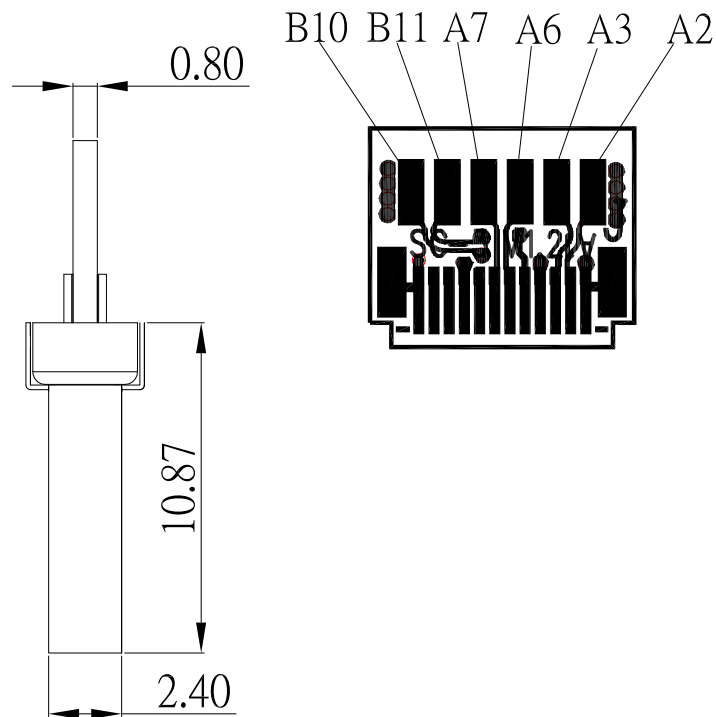
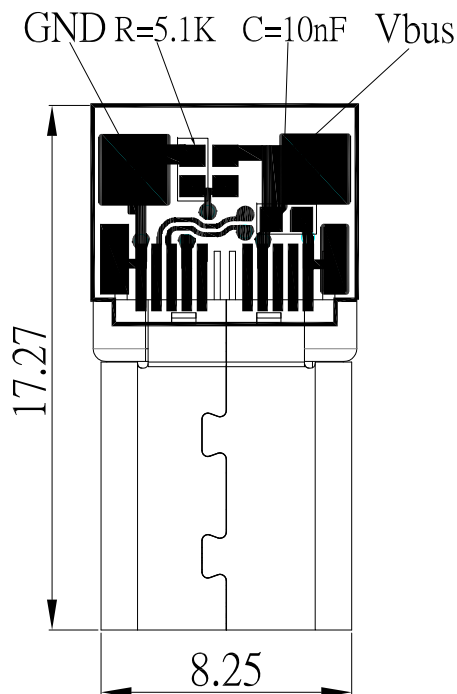




SBC-241PL9-31x-S271

鍍層厚度:

Blank : 1u"
2 : 15u"
3 : 30u"



前端接口

SPECIFICATIONS

Electrical:

1. Rating: 3.0A
2. Contact Resistance: 40 mΩ Max
3. Insulation Resistance: 100 MΩ Min
4. Dielectric Withstanding Voltage: 100V AC

Material:

1. Housing: LCP, UL 94V-0
2. Contact: Copper Alloy
3. Shell: SUS

Finish:

1. Contact: Plated Gold in Mating Area ;
Tin Plated on Solder Balls ;
Nickel under plated overall
2. Shell: Nickel under Plated surface layer

						DRAWN BY: Jack Lu		DATE: 12/25/17	MAT'L	TITLE: CONNECTOR
						CHECKED BY: Jacky Chen		DATE: 12/25/17		
				TOLERANCE UNLESS OTHERWISE STATED:		3RD. ANGEL'S	UNITS: MM	SCALE: 1 : 1	DWG NO.	MODLE: USB 3.1 TYPE C 公頭 铆合带板 带电阻5.1K L10.87
				Up to 5 ±0.2 Above 5 ~ 15 ±0.3 Above 15 ~ 30 ±0.4 Above 30 ~ 50 ±0.5 Angle ±0.3°				APPROVED BY: Tony Kao	DATE: 12/25/17	SHEET NO. 1 of 1
ITEM NO.	DESCRIPTION	DRAWN	DATE							VER: R1