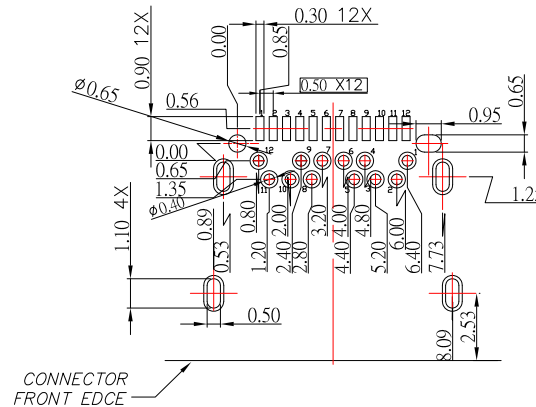
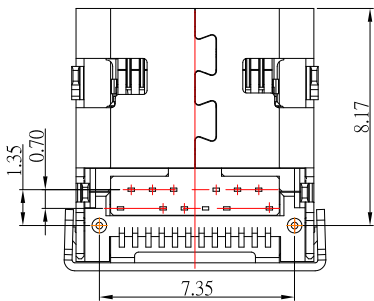
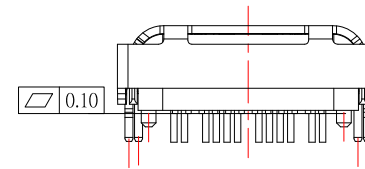
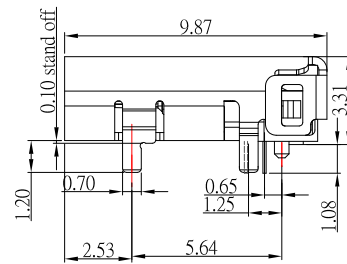
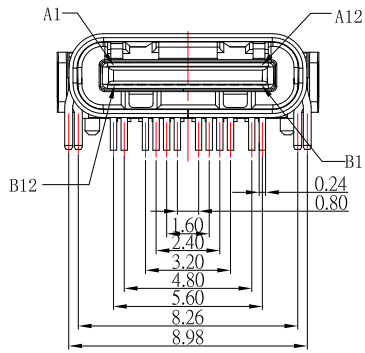
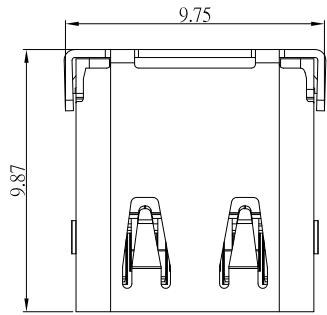




SBC-240S1B-31x-S338

鍍層厚度:

Blank : 1u"
2 : 15u"
3 : 30u"



USB TYPE-C FULL-FEATURED RECEPTACLE INTERFACE PIN ASSIGNMENTS

PIN	Signal Name	Description	PIN	Signal Name	Description
A1	GND	Ground return	B12	GND	Ground return
A2	SSTp0	Positive half of first SuperSpeed TX differential pair	B11	SSRp0	Negative half of first SuperSpeed RX differential pair
A3	SSTn0	Negative half of first SuperSpeed TX differential pair	B10	SSRn0	Negative half of first SuperSpeed RX differential pair
A4	Vus	Bus Power	B9	Vus	Bus Power
A5	CC1	Configuration Channel	B8	SRB2	Sideband Use (SRB)
A6	Dp1	Positive half of the USB 2.0 differential pair-Position 1	B7	Dn2	Negative half of the USB 2.0 differential pair-Position 2
A7	Dn1	Negative half of the USB 2.0 differential pair-Position 1	B6	Dp2	Positive half of the USB 2.0 differential pair-Position 2
A8	SRB1	Sideband Use (SRB)	B5	CC2	Configuration Channel
A9	Vus	Bus Power	B4	Vus	Bus Power
A10	SSRp2	Negative half of second SuperSpeed TX differential pair	B3	SSTn2	Negative half of second SuperSpeed RX differential pair
A11	SSRp2	Positive half of second SuperSpeed TX differential pair	B2	SSTp2	Positive half of second SuperSpeed RX differential pair
A12	GND	Ground return	B1	GND	Ground return

SPECIFICATIONS

Electrical:

1. Rating: 3.0A , 30V AC
2. Contact Resistance: 40 mΩ Max
3. Insulation Resistance: 100 MΩ Min
4. Dielectric Withstanding Voltage: 100V AC

Mechanical:

1. Connector Mate and Unmate Force
 - 1.1 Mate force: 5~20 N
 - 1.2 Unmate force: 8~20 N

Material:

1. Housing: LCP
2. Contact: Phosphor Bronze
3. Shell: SUS

Finish:

1. Contact: Plated Gold in Mating Area ;
Tin Plated on Solder Balls ;
Nickel under plated overall
2. Shell: Nickel under Plated surface layer

6	更新圖面	Jack	110719
5	更新樣式	LAN	042219
4	更新PIN定義	Jack	051717
3	更新樣式	Jack	040717
2	新增PCB LAYOUT尺寸	Jack	032417
1	更新pin腳數量及MODLE敘述	Jack	111516
ITEM NO.	DESCRIPTION	DRAWN	DATE

CONTACT 建倚科技股份有限公司
CONTACT TECHNOLOGY CORP.

TOLERANCE UNLESS OTHERWISE STATED:	Up to 5 ±0.2	3RD. ANGEL'S	UNITS	MM
	Above 5 ~ 15 ±0.3			
	Above 15 ~ 30 ±0.4			
	Above 30 ~ 50 ±0.5			
	Angle ±0.3°			

DRAWN BY:	DATE	MAT'L	TITLE	CONNECTOR
Jack Lu	11/07/19	FINISH	MODLE	USB 3.1 TYPE C PIN腳長1.25, 定位柱距離7.35mm
CHECKED BY:	DATE	SCALE	DWG NO.	SBC-240S1B-31x-S338
Jacky Chen	11/07/19	1 : 1	PART NO.	SBC-240S1B-31x-S338
APPROVED BY:	DATE	SHEET NO.	1 of 1	SIZE A4
Tony Kao	11/07/19	VER	R6	