



# SUA-110H1-xx-S175

Color :	Black : B
White : W	
鍍層厚度 :	
Blank : 1u"	
2 : 15u"	
3 : 30u"	

## SPECIFICATIONS

### Electrical:

- 1.Current Rating: 1.5A / contact terminal
- 2.Voltage Rating: 30V DC
- 3.Contact Resistance: 30 mΩ Max
- 4.Dielectric Withstanding Voltage: 500 V AC AT Sec Level
- 5.Insulation Resistance: 1,000 MΩ Min

### Mechanical:

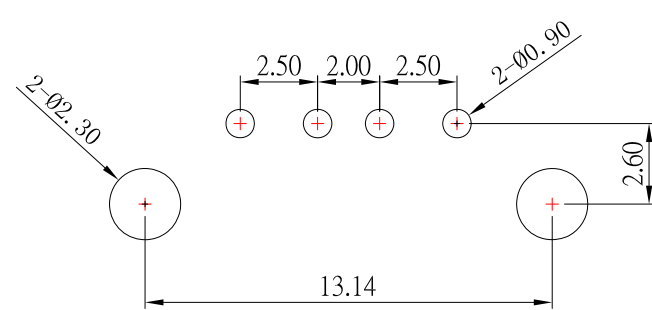
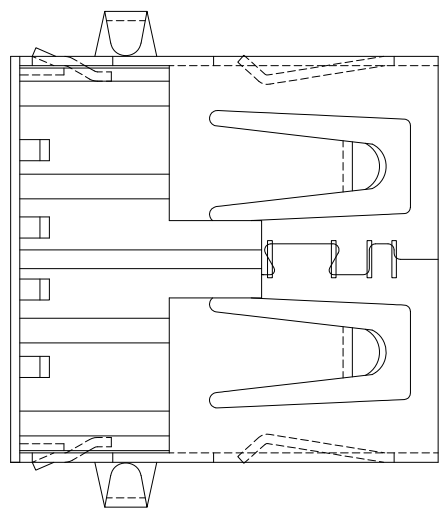
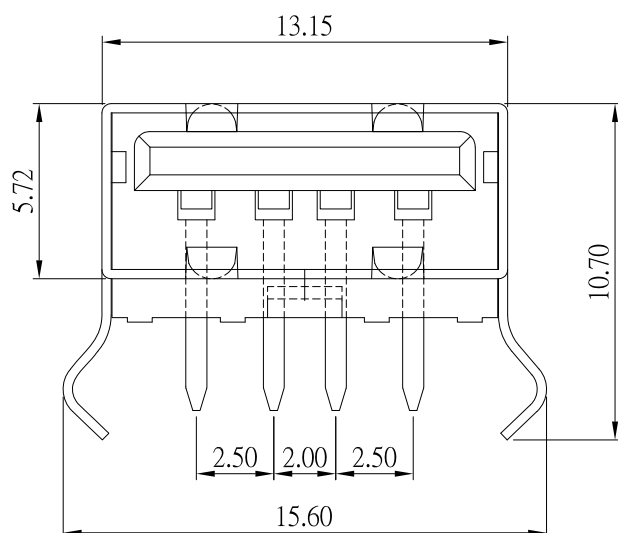
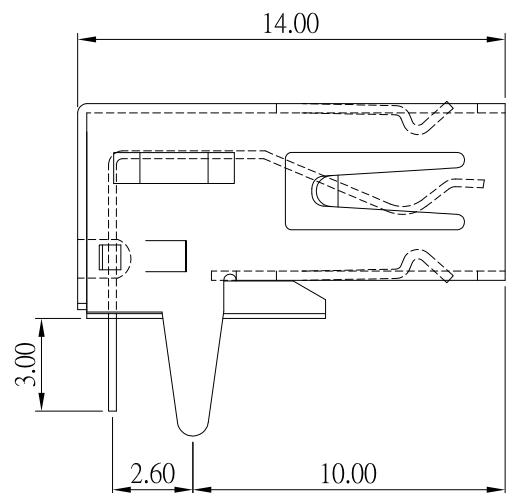
- 1.Connector Mate and Unmate Force  
Mate force: 3.57 kgf (Max)  
Unmate force: 1.02 kgf (Min)
- 2.Terminal Retention: 1.2 kgf (Min)

### Material:

- 1.Housing: LCP / PBT
- 2.Contact: BRASS
- 3.Shell: BRASS / SPCC

### Finish:

- 1.Contact: Plated Gold in Mating Area ;  
Tin Plated on Solder Balls ;  
Nickel under plated overall
- 2.Shell: Nickel under Plated surface layer



P.C.B LAYOUT MOUNTING PATTERN

**CONTACT** 建倚科技股份有限公司  
CONTACT TECHNOLOGY CORP.

TOLERANCE UNLESS OTHERWISE STATED :	Up to 5 ±0.2	3RD. ANGEL'S	UNITS	MM
	Above 5 ~ 15 ±0.3			
	Above 15 ~ 30 ±0.4			
	Above 30 ~ 50 ±0.5			
	Angle ±0.3°			

DRAWN BY:	DATE	MAT'L	TITLE	CONNECTOR
Jack Lu	09/10/15		MODLE	USB A/F 加蓋彎腳無捲邊
CHECKED BY:	DATE	FINISH	SCALE	1 : 1
Jacky Chen	09/10/15		DWG NO.	SUA-110H1-xx-S175
APPROVED BY:	DATE	SHEET NO.	PART NO.	SUA-110H1-xx-S175
Tony Kao	09/10/15	1 of 1		
			SIZE	A4
			VER	A0

ITEM NO.	DESCRIPTION	DRAWN	DATE