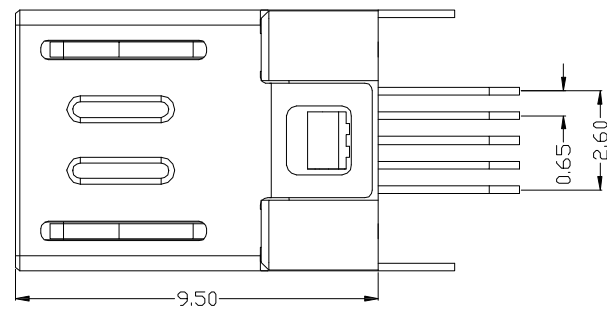


PCB LAYOUT MOUNTING PATTERN



CONTACT NUMBER	SIGNAL NAME
PIN 1	VBUS
PIN 2	D-
PIN 3	D+
PIN 4	ID
PIN 5	GND

**SPECIFICATIONS**

**Electrical:**

- 1.Current Rating: 1.0A / contact terminal
- 2.Voltage Rating: 30V DC
- 3.Contact Resistance: 30 mΩ Max
- 4.Dielectric Withstanding Voltage: 100 V AC
- 5.Insulation Resistance: 100 MΩ Min

**Mechanical:**

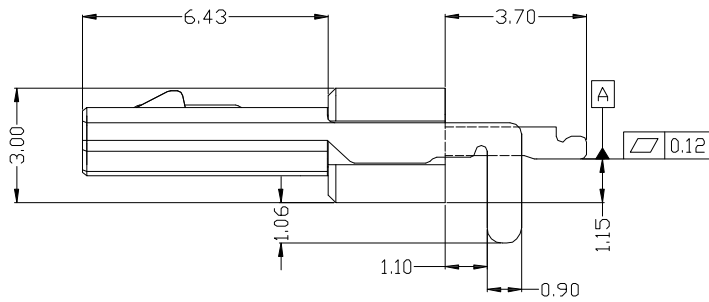
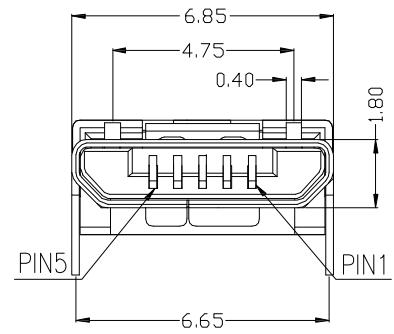
- 1.Mate force: 35N (Max)
- 2.Withdrawal force: 8N (Min) , initial

**Material:**

- 1.Hook: SUS 301
- 2.Contact: Phosphor Bronze
- 3.Shell: SUS 301
- 4.Insulator: Temperature Thermal Plastics,UL94V-0

**Finish:**

- 1.Contact: Plated Gold in Mating Area ;  
Tin Plated on Solder Balls ;  
Nickel under plated overall
- 2.Shell: Nickel under Plated surface layer



**CONTACT** 建倚科技股份有限公司  
**CONTACT TECHNOLOGY CORP.**

TOLERANCE UNLESS OTHERWISE STATED :  
Up to 5 ±0.2  
Above 5 ~ 15 ±0.3  
Above 15 ~ 30 ±0.4  
Above 30 ~ 50 ±0.5  
Angle ±0.3

3RD. ANGEL'S



UNITS

MM

DRAWN BY: Jack Lu  
CHECKED BY: Jacky Chen  
APPROVED BY: Tony Kao

DATE: 04/01/15  
DATE: 04/01/15  
DATE: 04/01/15

MAT'L		TITLE	CONNECTOR
FINISH		MODLE	MICRO USB 5P/M 板端 SMT TYPE
SCALE	1 : 1	DWG NO.	MRUSB-5PLM-S306
SHEET NO.	1 of 1	PART NO.	MRUSB-5PLM-S306

ITEM NO.	DESCRIPTION	DRAWN	DATE