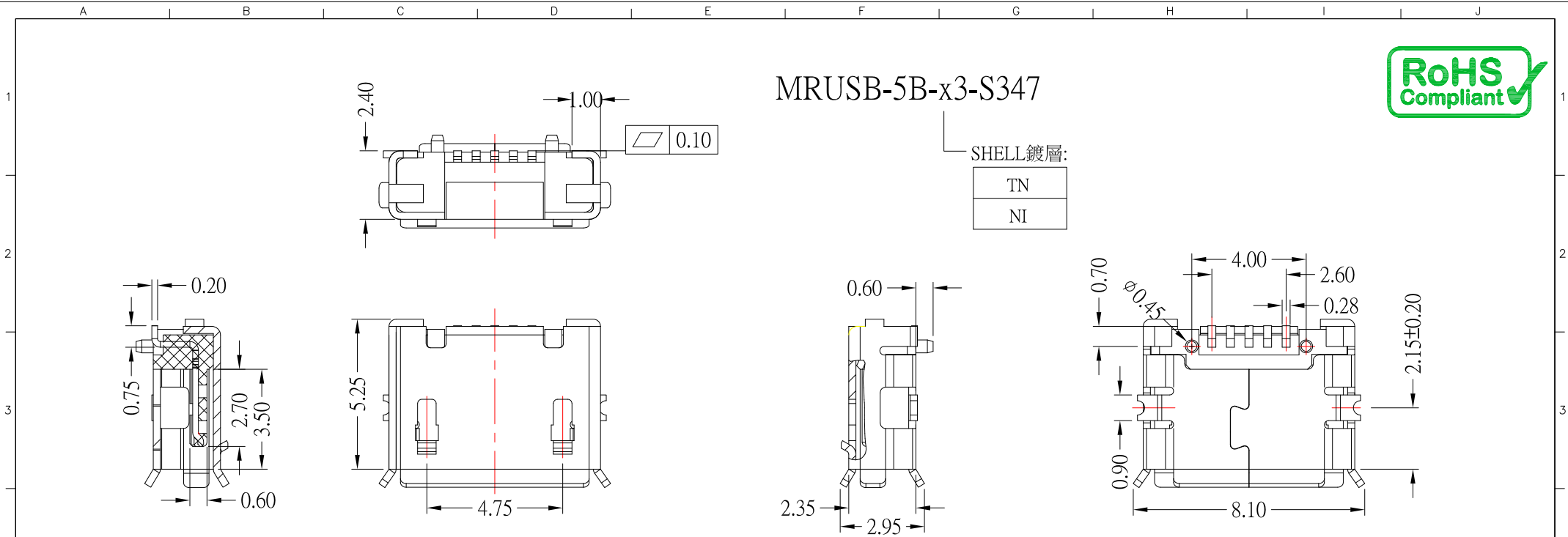


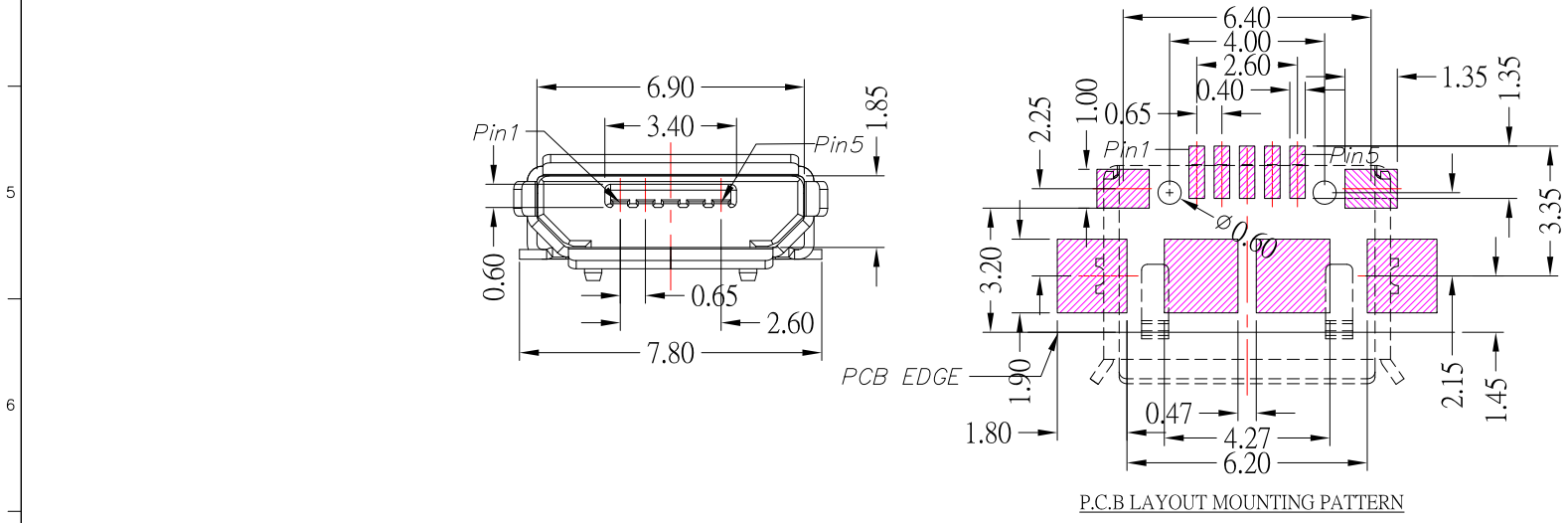


MRUSB-5B-x3-S347



SHELL 鍍層:

TN
NI



- NOTES:
- MATERIAL:
- 1.1 HOUSING: LCP
 - 1.2 CONTACT: PHOSPHOR BRONZE
 - 1.3 SHELL: BRASS
- Finish:
- 2.1 Contact: Plated Gold in Mating Area ;
Gold Plated on Solder Balls
Nickel under plated overall
 - 2.2 Shell: Nickel or Tin under Plated surface layer
- 3.SPECIFICATION:
- 3.1 CURRENT RATING: 1.8 A MAX(PIN1,5) ; 1.0 A MAX(PIN2,3,4)
 - 3.2 DIELECTRIC WITHSTANDING VOLTAGE: 100 V(ac) FOR 1min
 - 3.3 CONTACT RESISTANCE: 30 m Ω MAX.
 - 3.4 INSULATION RESISTANCE: 100 M Ω MIN.
 - 3.5 TOTAL MATING FORCE: 3.57 Kgf MAX.
 - 3.6 TOTAL UNMATING FORCE: 1.0 Kgf MIN.
 - 3.7 TEMPERATURE RANGE: -30°C ~ +80°C

5	更新樣式	Lan	041819
4	更新圖面	Jack	122017
3	新增尺寸	Jack	092217
2	更新圖面	Jack	051817
1	更新為A0版	Jack	111016
ITEM NO.	DESCRIPTION	DRAWN	DATE

CONTACT 建倚科技股份有限公司
CONTACT TECHNOLOGY CORP.

TOLERANCE UNLESS OTHERWISE STATED:

Up to 5	±0.2
Above 5 ~ 15	±0.3
Above 15 ~ 30	±0.4
Above 30 ~ 50	±0.5
Angle	±0.3°

3RD. ANGEL'S

UNITS MM

DRAWN BY:	DATE	MAT'L	TITLE	CONNECTOR
Jack Lu	04/18/19			
CHECKED BY:	DATE	FINISH	MODLE	MICRO USB 5B/F 全貼有柱
Jacky Chen	04/18/19			
APPROVED BY:	DATE	SCALE	DWG NO.	MRUSB-5B-x3-S347
Tony Kao	04/18/19	1 : 1	PART NO.	MRUSB-5B-x3-S347
		SHEET NO.	1 of 1	
				SIZE A4
				VER R5