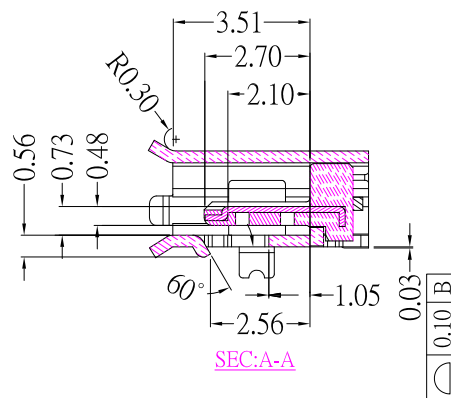
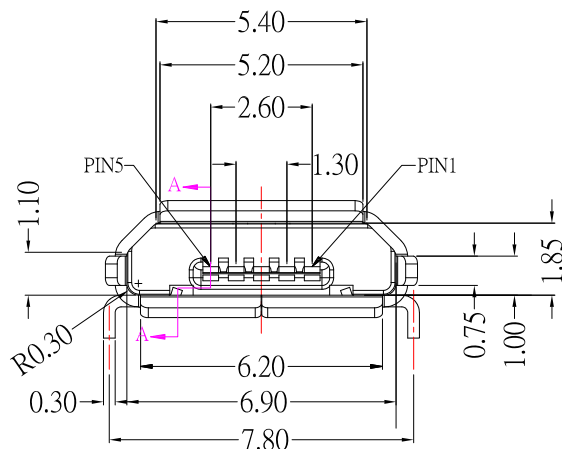


PCB LAYOUT MOUNTING PATTERN



### MRUSB-5B-RV1x-S183

外殼鍍層:

Blank: Tin
NI: Ni

### SPECIFICATIONS

#### Electrical:

- Current Rating: 1.8A(1&5PIN)  
0.5A(2&3&4PIN)
- Contact Resistance: 60 mΩ Max
- Dielectric Withstanding Voltage:  
100 V AC / 1 minute
- Insulation Resistance:  
100 MΩ Min @ 500 VDC

#### Mechanical:

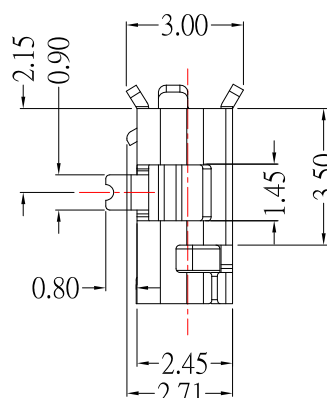
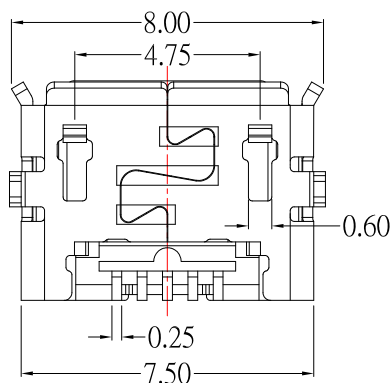
- Connector Mate and Unmate Force  
Mate force: 3.57 kgf Max  
Unmate force: 0.816 kgf Min
- Durability: 10,000 cycles Min
- Contact retention force: 0.214 kgf Min

#### Material:

- Housing:  
High Temperature Thermal Plastics,  
UL 94V-0, LCP, Black
- Contact: Phosphor Bronze
- Shell: Stainless Steel

#### Finish:

- Contact: Gold plated on the contact area  
and Nickel under plated overall.
- Shell: Tin under Plated surface layer  
or Nickel under Plated surface layer



**CONTACT** 建倚科技股份有限公司  
**CONTACT TECHNOLOGY CORP.**

TOLERANCE UNLESS OTHERWISE STATED:  
Up to 5 ±0.2  
Above 5 ~ 15 ±0.3  
Above 15 ~ 30 ±0.4  
Above 30 ~ 50 ±0.5  
Angle ±0.3

3RD. ANGEL'S



UNITS MM

DRAWN BY:	DATE	MAT'L	TITLE	CONNECTOR
Jack Lu	06/12/14			
CHECKED BY:	DATE	FINISH	MODLE	MICRO USB B TYPE REVERSE SHELLED DIP
Jacky Chen	06/12/14			
APPROVED BY:	DATE	SCALE	DWG NO.	MRUSB-5B-RV1x-S183
Tony Kao	06/12/14	1 : 1		
		SHEET NO.	PART NO.	MRUSB-5B-RV1x-S183
		1 of 1		
				SIZE A4
				VER R3

3	更新PCB LAYOUT尺寸	Jack	061214
2	更新SPEC及材質	Jack	071813
1	新增外殼鍍層選項	Jack	070513
ITEM NO.	DESCRIPTION	DRAWN	DATE