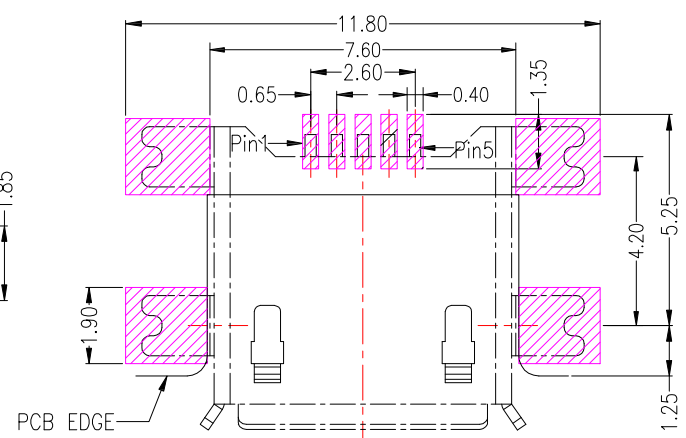
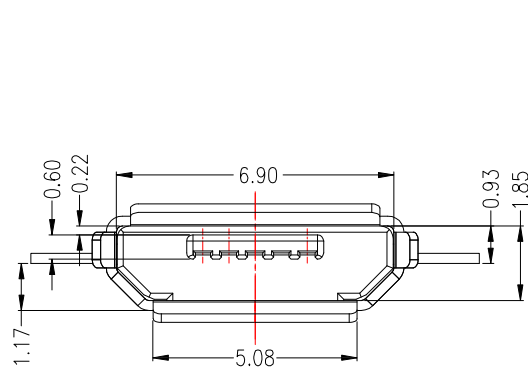
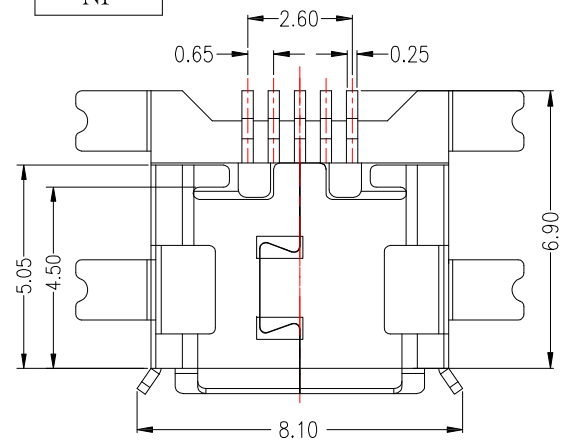
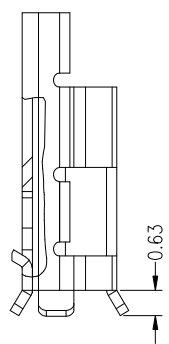
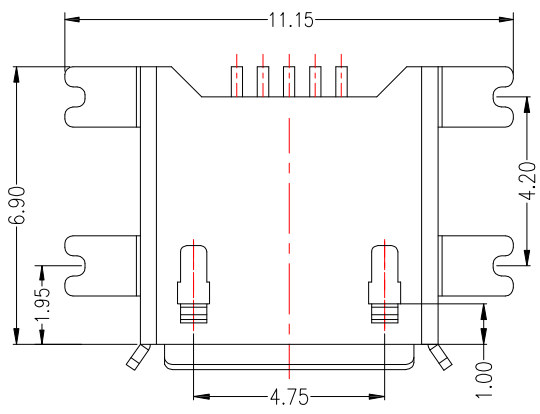
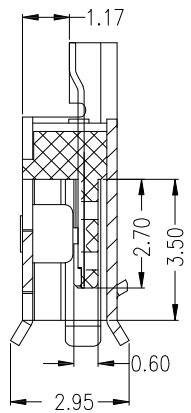
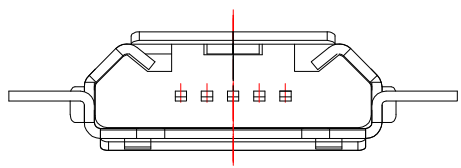




MRUSB-5B-M13Ax-S347

SHELL 鍍層:

TN
NI



- NOTES:
 MATERIAL:
 1.1 HOUSING: LCP
 1.2 CONTACT: PHOSPHOR BRONZE
 1.3 SHELL: BRASS
 FINISH:
 2.1 CONTACT: PLATED GOLD IN MATING AREA ;
 GOLD PLATED ON SOLDER BALLS ;
 NICKEL UNDER PLATED OVERALL
 2.2 SHELL: TIN UNDER PLATED SURFACE LAYER
 3.SPECIFICATION:
 3.1 RATING: 1~5 PIN:1.8A , 2,3,4 PIN:1.0A
 3.2 DIELECTRIC WITHSTANDING VOLTAGE: 100 VAC FOR 1 MIN
 3.3 CONTACT RESISTANCE: 30 mΩ MAX.
 3.4 INSULATION RESISTANCE: 100 MΩ MIN.
 3.5 TOTAL MATING FORCE: 3.57 Kgf MAX.
 3.6 TOTAL UNMATING FORCE: 1.0 Kgf MIN.
 3.7 TEMPERATURE RANGE: -30°C ~ +80°C

P.C.B LAYOUT MOUNTING PATTERN

CONTACT 建倚科技股份有限公司
CONTACT TECHNOLOGY CORP.

TOLERANCE UNLESS OTHERWISE STATED :	Up to 5 ±0.2	Above 5 ~ 15 ±0.3	Above 15 ~ 30 ±0.4	Above 30 ~ 50 ±0.5	Angle ±0.3°
	3RD. ANGEL'S				
		UNITS	MM		

DRAWN BY:	DATE	MAT'L	TITLE	CONNECTOR
Jack Lu	11/24/17		MODLE	MICRO USB 5B/F 沉板 1.17mm
CHECKED BY:	DATE	FINISH	DWG NO.	MRUSB-5B-M13Ax-S347
Jacky Chen	11/24/17		PART NO.	MRUSB-5B-M13Ax-S347
APPROVED BY:	DATE	SCALE	SHEET NO.	1 of 1
Tony Kao	11/24/17	1 : 1		

ITEM NO.	DESCRIPTION	DRAWN	DATE