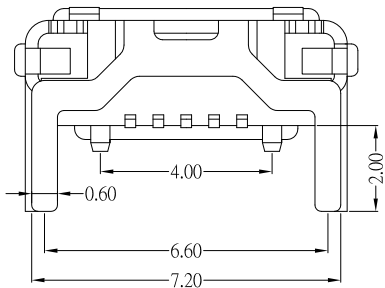
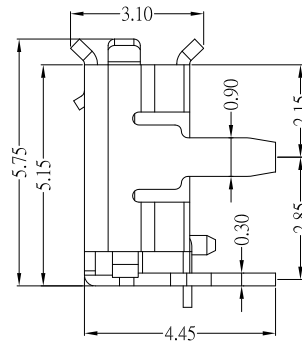
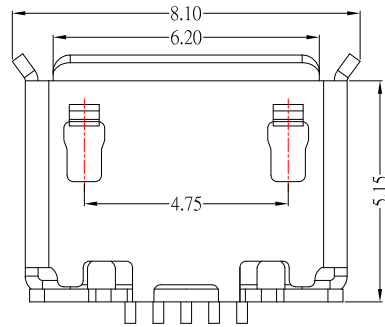
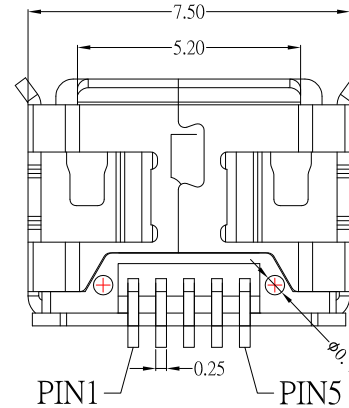


RECOMMENDED PCB LAYOUT



SPECIFICATIONS

Electrical:

- 1.Current Rating: 1.0A
- 2.Voltage Rating: 30V
- 3.Contact Resistance: 30 mΩ Max
- 4.Dielectric Withstanding Voltage: 100 V AC Min
- 5.Insulation Resistance: 100 MΩ Min

Mechanical:

- 1.Connector Mate and Unmate Force
 - 1.1 Mate force: 35N (Max)
 - 1.2 Unmate force: 10N(Min)

Material:

- 1.Housing: LCP
- 2.Contact: Brass
- 3.Shell: SUS

Finish:

- 1.Contact: Plated Gold in Mating Area ;
Gold Plated on Solder Balls
Nickel under plated overall
- 2.Shell: Nickel under Plated surface layer

8	新增尺寸	Jack	071520	10	更新PCB LAYOUT尺寸	Jack	031523
7	新增PIN標示	Jack	121917	9	更新底部樣式	Jack	112822

6	更新為A0版	Jack	022316
5	更新PCB LAYOUT圖樣式	Jack	041715
4	更新圖面尺寸	Jack	111214
3	更新為A0版	Jack	102814
2	更新尺寸3.80改4.00	Jack	100214
1	更新尺寸4.00改3.80及2.88改2.80及更新pcb layout尺寸	Jack	100114
ITEM NO.	DESCRIPTION	DRAWN	DATE

CONTACT 建倚科技股份有限公司
CONTACT TECHNOLOGY CORP.

TOLERANCE UNLESS OTHERWISE STATED :
 Up to 5 ±0.2
 Above 5 ~ 15 ±0.3
 Above 15 ~ 30 ±0.4
 Above 30 ~ 50 ±0.5
 Angle ±0.3°

3RD. ANGEL'S

UNITS MM

DRAWN BY:	DATE	MAT'L	TITLE	CONNECTOR
Jack Lu	03/15/23	FINISH	MODLE	MICRO USB BF CONNECTOR
CHECKED BY:	DATE	SCALE	DWG NO.	MRUSB-5B-EDA-S129
Jacky Chen	03/15/23	SHEET NO.	PART NO.	MRUSB-5B-EDA-S129
APPROVED BY:	DATE	1 of 1		
Tony Kao	03/15/23			