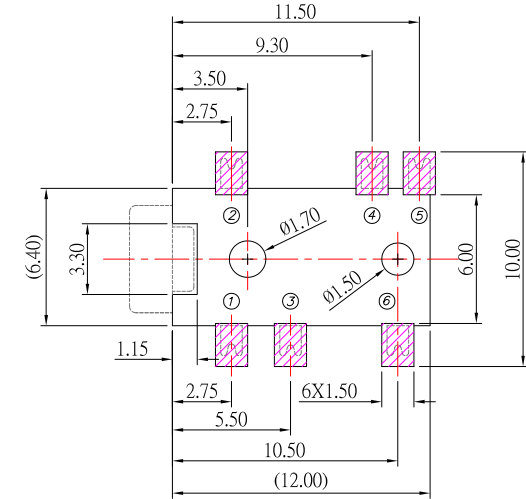
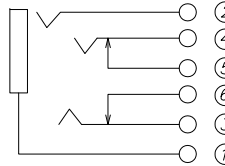
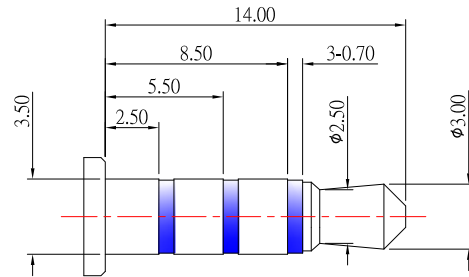
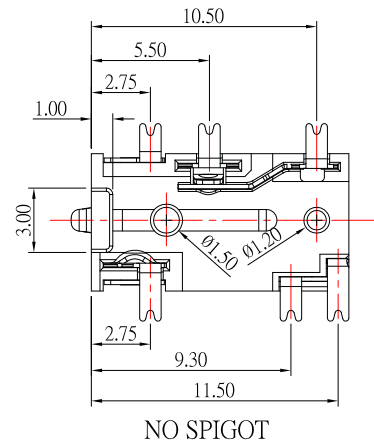


SCHMATIC



RECOMMENDED PCB LAYOUT
TOP VIEW



(3.50mm 4 POLE PLUG DETAIL DRAWING)

NOTES:

- CONTACT CURRENT RATING: 1A.
- CONTACT RESISTANCE: 50 mΩ MAX.;
- INSULATION RESISTANCE: 100MΩ MIN.;
- DIELECTRIC WITHSTANDING: 500V AC MIN.;
- DURABILITY: 10,000 CYCLES MIN.;
- CONNECTOR MATING FORCES: 29.4N (3.00Kgf) MAX.;
- CONNECTOR UNMATING FORCES: 2.94N(0.30Kgf) MIN.;

CONTACT 建倚科技股份有限公司
CONTACT TECHNOLOGY CORP.

TOLERANCE UNLESS OTHERWISE STATED:
Up to 5 ±0.2
Above 5 ~ 15 ±0.3
Above 15 ~ 30 ±0.4
Above 30 ~ 50 ±0.5
Angle ±0.3°

3RD. ANGEL'S

UNITS MM

DRAWN BY:	DATE	MAT'L	TITLE	JACK
Frank Wu	12/22/11			
CHECKED BY:	DATE	FINISH	MODLE	PHONE JACK
Jacky Chen	12/22/11			
APPROVED BY:	DATE	SCALE	DWG NO.	PJ-30266-61-S119
Tony Kao	12/22/11	1 : 1	PART NO.	PJ-30266-61-S119
		SHEET NO.	1 of 1	
				SIZE A4
				VER A

ITEM NO.	DESCRIPTION	DRAWN	DATE