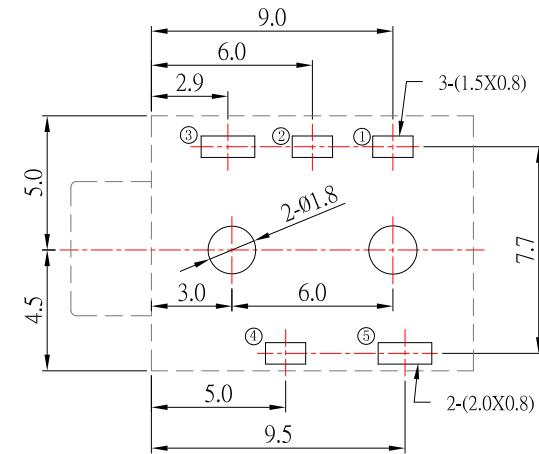




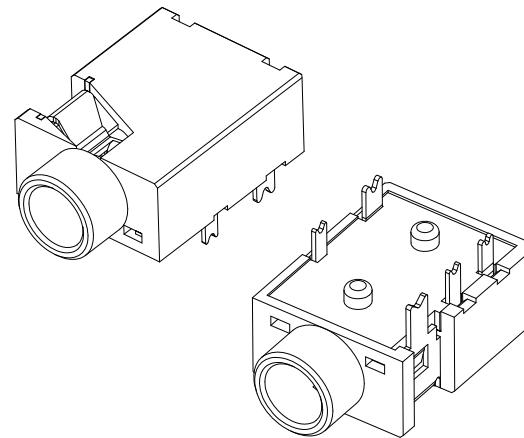
P.C.B LAYOUT  
TOP VIEW



SPECIFICATION

1. Rating : DC 30V 0.5A ;
2. Contact resistance :  $\leq 0.05 \Omega$  ;
3. Insulation resistance :  $\geq 100M\Omega$  (DC250V) ;
4. Withstand voltage : 500VAC ;
5. Insertion and extraction force : 3-20N;
6. life test : 5,000 cycles °

SCHMATIC



PJ-3675-S125	PJ-3674B-S125	PJ-3674A-S125	PJ-3673-S125	PJ-3673A-S125

**CONTACT** 建倚科技股份有限公司  
CONTACT TECHNOLOGY CORP.

TOLERANCE UNLESS OTHERWISE STATED :

Up to 5 ±0.2  
Above 5 ~ 15 ±0.3  
Above 15 ~ 30 ±0.4  
Above 30 ~ 50 ±0.5  
Angle ±0.3

3RD. ANGEL'S



UNITS

MM

DRAWN BY: Jack Lu  
CHECKED BY: Jacky Chen  
APPROVED BY: Tony Kao

DATE: 04/23/13  
DATE: 04/23/13  
DATE: 04/23/13

MAT'L		TITLE	JACK
FINISH		MODLE	PHONE JACK
SCALE	1 : 1	DWG NO.	PJ-367x-S125
SHEET NO.	1 of 1	PART NO.	PJ-367x-S125
		SIZE	A4
		VER	A0

ITEM NO.	DESCRIPTION	DRAWN	DATE