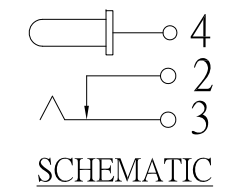
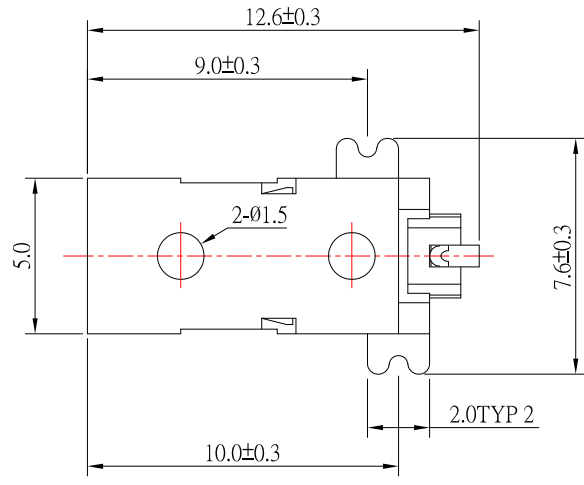
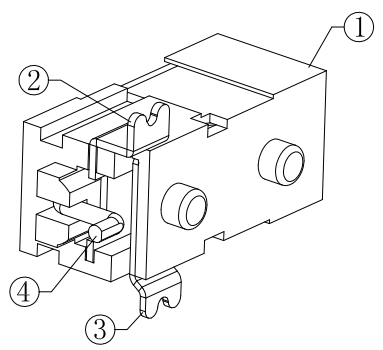
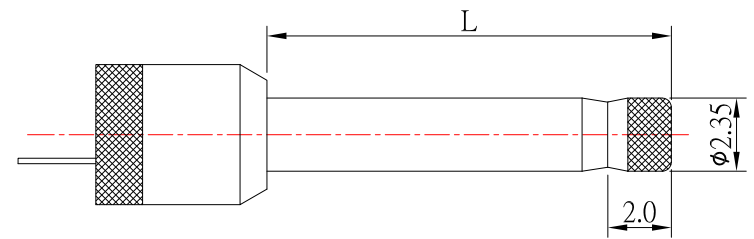


P.C.B LAYOUT
TOP VIEW



SPECIFICATION

1. Rating : DC 30V 1.0A ;
2. Contact resistance : ≤30mΩ ;
3. Insulation resistance : ≥100MΩ ;
4. Withstand voltage : 500VAC ;
5. Insertion and extraction force : 3-15N;
6. life test : 5,000 cycles °



RECOMMENDED PLUG

④	PIN	1	BRASS	Ag-Plating
③	SPRING	1	PHOSPHOR BRONZE	Ag-Plating
②	FLAT PIECE	1	BRASS	Ag-Plating
①	HOUSING	1	PA9T	
NO.	DESCRIPTION	QTY	MATERIAL	PLATING

CONTACT 建倚科技股份有限公司
CONTACT TECHNOLOGY CORP.

TOLERANCE UNLESS OTHERWISE STATED:	Up to 5 ±0.2	3RD. ANGEL'S	UNITS	MM
	Above 5 ~ 15 ±0.3			
	Above 15 ~ 30 ±0.4			
	Above 30 ~ 50 ±0.5			
	Angle ±0.3°			

DRAWN BY:	DATE	MAT'L	TITLE	JACK
Jack Lu	04/27/18			
CHECKED BY:	DATE	FINISH	MODLE	DC JACK
Jacky Chen	04/27/18			
APPROVED BY:	DATE	SCALE	DWG NO.	DC-031H-S124
Tony Kao	04/27/18	1 : 1		
		SHEET NO.	PART NO.	DC-031H-S124
		1 of 1		
				SIZE A4
				VER R1