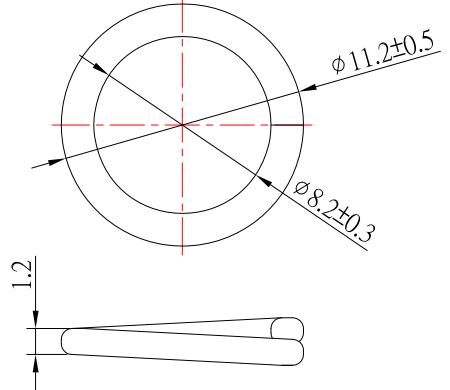
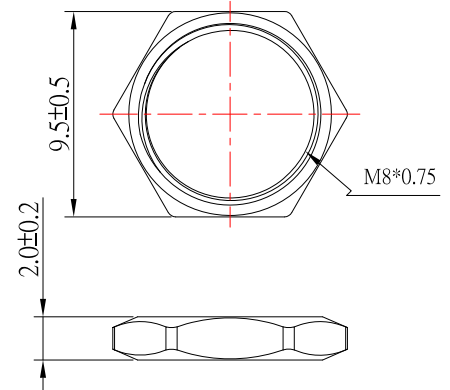


MODEL NO.	DC-D025M-x-S124
SCHEMATIC	
CENTER PIN	$\phi 2.0\text{mm}$
	$\phi 2.5\text{mm}$

SPECIFICATION

1. Rating : DC 30V, 3.0A
2. Contact resistance : $\leq 30\text{m}\Omega$
3. Insulation resistance : $\geq 100\text{M}\Omega$
4. Withstand voltage : 500VAC
5. Insertion and extraction force : 3-30N
6. life test : 5,000 cycles



NO.	DESCRIPTION	QTY	MATERIAL	PLATING
8	SPLIT WASHER	1	IRON	Ni-Plating
7	NUT	1	H59	Ni-Plating
6	HOUSING	1	PBT	
5	AXIS SUPPORT	1	H59	Ni-Plating
4	PIN	1	H59	Ni-Plating
3	SPRING	1	PHOSPHOR BRONZE	Sn-Plating
2	2# CURVE PIECE	1	BRASS	Sn-Plating
1	1# CURVE PIECE	1	BRASS	Sn-Plating

CONTACT 建倚科技股份有限公司
CONTACT TECHNOLOGY CORP.

TOLERANCE UNLESS OTHERWISE STATED:
 Up to 5 ±0.2
 Above 5 ~ 15 ±0.3
 Above 15 ~ 30 ±0.4
 Above 30 ~ 50 ±0.5
 Angle ±0.3°

3RD. ANGEL'S

UNITS MM

DRAWN BY:	DATE	MAT'L	TITLE	JACK
Jack Lu	11/21/22		MODLE	DC JACK
CHECKED BY:	DATE	FINISH	SCALE	1 : 1
Jacky Chen	11/21/22		DWG NO.	DC-D025M-x-S124
APPROVED BY:	DATE	SHEET NO.	PART NO.	DC-D025M-x-S124
Tony Kao	11/21/22	1 of 1		

ITEM NO.	DESCRIPTION	DRAWN	DATE
3	更新圖面	Jack	112122
2	更新尺寸	Jack	091020
1	更新Rating	Jack	032020