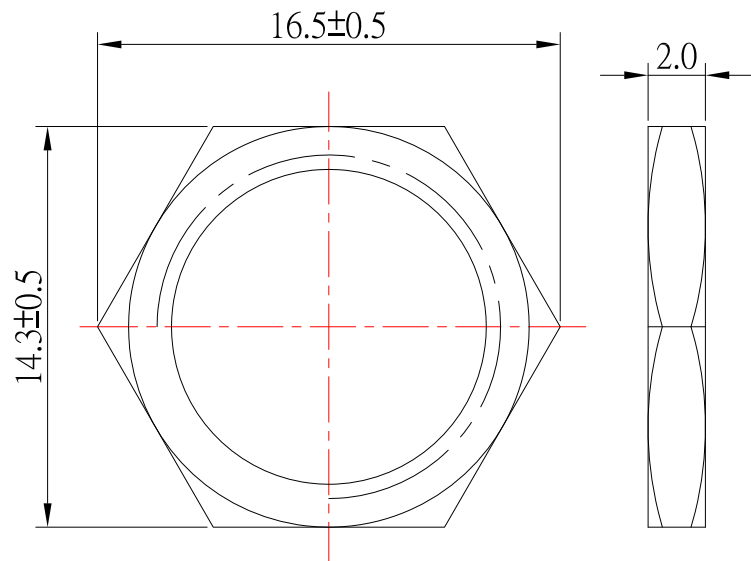


P.C.B LAYOUT  
TOP VIEW



MODEL NO.	DC-D022-x-S124
SCHEMATIC	
CENTER PIN	$\phi 2.0\text{mm}$
	$\phi 2.5\text{mm}$

### SPECIFICATION

1. Rating : DC 30V , 1.0A
2. Contact resistance :  $\leq 30\text{m}\Omega$
3. Insulation resistance :  $\geq 100\text{M}\Omega$
4. Withstand voltage : 500VAC
5. Insertion and extraction force : 3-20N
6. life test : 5,000 cycles

NO.	DESCRIPTION	QTY	MATERIAL	PLATING
⑥	COVER	1	PF	
⑤	CONTACT FOOT	1	BRASS	Sn-Plating
④	PIN	1	BRASS	Ni-Plating
③	SPRING	1	PHOSPHOR BRONZE	Sn-Plating
②	FLAT PIECE	1	BRASS	Sn-Plating
①	HOUSING	1	PBT	

ITEM NO.	DESCRIPTION	DRAWN	DATE
4	更新材質	Jack	050420
3	更新尺寸	Jack	121119
2	更新尺寸標示位置	Jack	082719
1	更新尺寸	Jack	080519

**CONTACT** 建倚科技股份有限公司  
CONTACT TECHNOLOGY CORP.

TOLERANCE UNLESS OTHERWISE STATED:  
Up to 5 ±0.2  
Above 5 ~ 15 ±0.3  
Above 15 ~ 30 ±0.4  
Above 30 ~ 50 ±0.5  
Angle ±0.3°

3RD. ANGEL'S UNITS MM

DRAWN BY:	DATE	MAT'L	TITLE	JACK
Jack Lu	05/04/20			
CHECKED BY:	DATE	FINISH	MODLE	DC JACK
Jacky Chen	05/04/20			
APPROVED BY:	DATE	SCALE	DWG NO.	DC-D022-x-S124
Tony Kao	05/04/20	1 : 1		
		SHEET NO.	PART NO.	DC-D022-x-S124
		1 of 1		
				SIZE A4
				VER R4