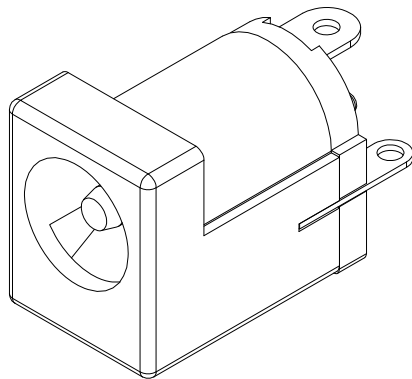


PCB LAYOUT
(BOTTOM VIEW)

MODEL NO.	DC-030-x
SCHEMATIC	
CENTER PIN	ø2mm
	ø2.5mm



* MATERIAL

CENTRE PIN : PHOSPHOR BRONZE(NI PLATED)
 TERMINAL 1 : BRASS (Matte Tin PLATED)
 TERMINAL 2 : PHOSPHOR BRONZE(Matte Tin PLATED)
 TERMINAL 3 : BRASS (Matte Tin PLATED)
 HOUSING : PBT
 COVER : PBT

SPECIFICATIONS

1. Rating : DC 16V 2.5A
2. Contact resistance : $\leq 50m\Omega$
3. Insulation resistance : $\geq 100M\Omega$ (DC500V)
4. Withstand voltage : 500VAC
5. Insertion and extraction force : 3-20N
6. life test : 5,000 cycles

CONTACT 建倚科技股份有限公司
CONTACT TECHNOLOGY CORP.

TOLERANCE UNLESS OTHERWISE STATED :
 Up to 5 ±0.2
 Above 5 ~ 15 ±0.3
 Above 15 ~ 30 ±0.4
 Above 30 ~ 50 ±0.5
 Angle ±0.3°

3RD. ANGEL'S UNITS MM

DRAWN BY:	DATE	MAT'L	TITLE	JACK
Jack Lu	12/03/14		MODLE	DC JACK 端子鍍霧錫
CHECKED BY:	DATE	FINISH	SCALE	1 : 1
Jacky Chen	12/03/14		DWG NO.	DC-030-x-TN
APPROVED BY:	DATE	SHEET NO.	PART NO.	DC-030-x-TN
Tony Kao	12/03/14	1 of 1		

ITEM NO.	DESCRIPTION	DRAWN	DATE
3	更新MODLE	Jack	120314
2	新增鍍層	Jack	091114
1	新增SPEC	Jack	090613