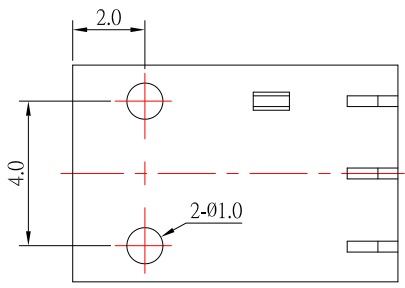
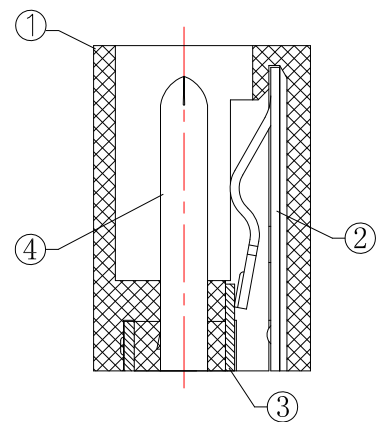
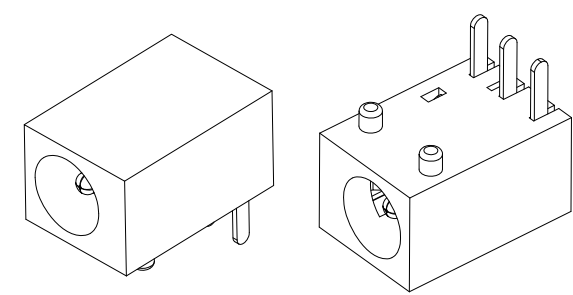


P.C.B LAYOUT
TOP VIEW



| | |
|------------|---------------|
| MODEL NAME | DC-015-x-S124 |
| SCHEMATIC | |
| CENTER PIN | Ø1.0 |
| | Ø1.3 |

SPECIFICATION

- 1.Rating : DC 30V 1.0A ;
- 2.Contact resistance : $\leq 50m\Omega$;
- 3.Insulation resistance : $\geq 100M\Omega$;
- 4.Withstand voltage : 500VAC ;
- 5.Insertion and extraction force : 3-20N;
- 6.life test : 5,000 cycles °

| | | | | |
|-----|-------------|-----|-----------------|------------|
| ④ | PIN | 1 | BRASS | Ag-Plating |
| ③ | CURVE PIECE | 1 | BRASS | Ag-Plating |
| ② | SPRING | 1 | STAINLESS STEEL | Ag-Plating |
| ① | HOUSING | 1 | PA9T | |
| NO. | DESCRIPTION | QTY | MATERIAL | PLATING |

CONTACT 建倚科技股份有限公司
CONTACT TECHNOLOGY CORP.

| | | | | |
|-------------------------------------|--------------------|--------------|-------|----|
| TOLERANCE UNLESS OTHERWISE STATED : | Up to 5 ±0.2 | 3RD. ANGEL'S | UNITS | MM |
| | Above 5 ~ 15 ±0.3 | | | |
| | Above 15 ~ 30 ±0.4 | | | |
| | Above 30 ~ 50 ±0.5 | | | |
| | Angle ±0.3° | | | |

| | | | | |
|--------------|----------|-----------|----------|---------------|
| DRAWN BY: | DATE | MAT'L | TITLE | JACK |
| Jack Lu | 04/07/17 | | | |
| CHECKED BY: | DATE | FINISH | MODLE | DC JACK |
| Jacky Chen | 04/07/17 | | | |
| APPROVED BY: | DATE | SCALE | DWG NO. | DC-015-x-S124 |
| Tony Kao | 04/07/17 | 1 : 1 | | |
| | | SHEET NO. | PART NO. | DC-015-x-S124 |
| | | 1 of 1 | | |
| | | | | SIZE A4 |
| | | | | VER A0 |

| | | | |
|----------|-------------|-------|--------|
| 1 | 更新為A0版 | Jack | 040717 |
| ITEM NO. | DESCRIPTION | DRAWN | DATE |