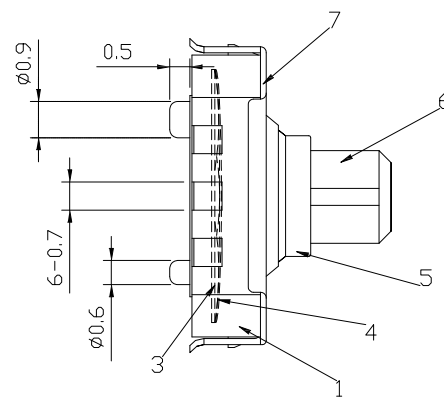
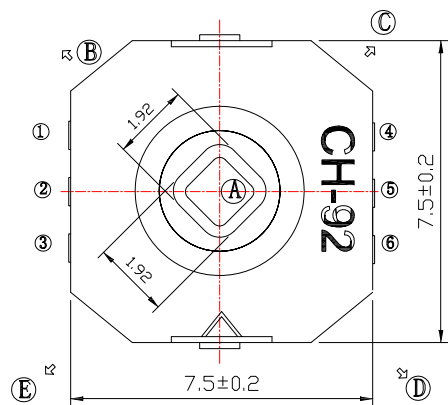
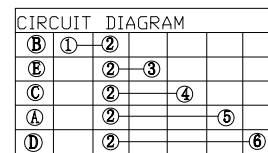


P.C.B LAND PATTERN



SPECIFICATIONS

Rating	50mA , 12V DC
Insulation Resistance	100MΩ Min.
Dielectric Withstanding Voltage	AC 250 V(50Hz)1min
Contact Resistance	100mΩ Max.
Operating Life	30,000 cycles



(CIRCUIT DIAGRAM)

NO.	DESCRIPTION	QTY	MATERIAL	PLATING
G	COVER	1	SUS	Ag plated
F	KNOB	1	PPA	Black
E	PLUM KNOB	1	PA6T	Black
D	TAPE	1	PI FILM	Yellow
C	CONTACT	2	SUS	Ag plated
B	TERMINAL	6	PHOSPHOR BRONZE	Ag plated
A	BASE	1	LCP	Black

ITEM NO.	DESCRIPTION	DRAWN	DATE
8	更新尺寸	Jack	110222
7	更新圖面	Jack	081922
6	更新圖面	Jack	062122
5	更新圖面	Jack	122921
4	更新材質	Jack	072021
3	更新PCB LAYOUT端子編號	Jack	082319
2	更新PCB LAYOUT尺寸	Jack	091117
1	更新材質	Jack	073013

CONTACT 建倚科技股份有限公司
CONTACT TECHNOLOGY CORP.

TOLERANCE UNLESS OTHERWISE STATED :
 Up to 5 ±0.2
 Above 5 ~ 15 ±0.3
 Above 15 ~ 30 ±0.4
 Above 30 ~ 50 ±0.5
 Angle ±0.3

3RD. ANGEL'S



UNITS MM

DRAWN BY:	DATE	MAT'L	TITLE	SWITCH
Jack Lu	11/02/22			
CHECKED BY:	DATE	FINISH	MODLE	Multi Function SWITCH
Jacky Chen	11/02/22			
APPROVED BY:	DATE	SCALE	DWG NO.	K03-S246
Tony Kao	11/02/22	1 : 1		
		SHEET NO.	PART NO.	K03-S246
		1 of 1		

SIZE A4
VER R8