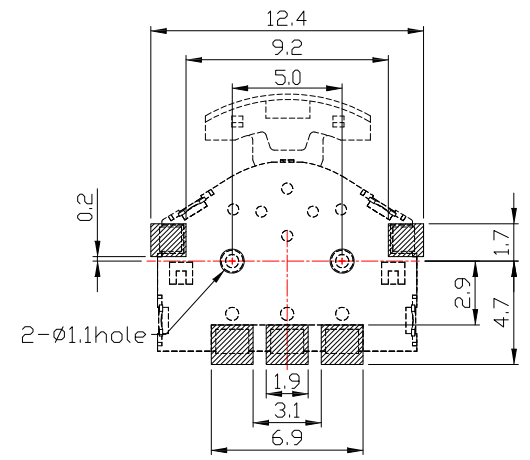
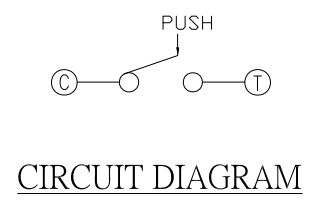
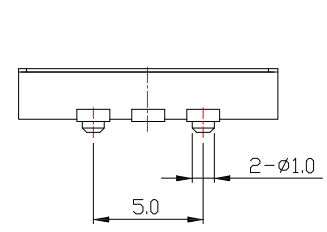


CODE TABLE



P.C.B LAYOUT MOUNTING PATTERN

SPECIFICATIONS

Rating	DC 5V 10mA
Output Voltage	1V Min, at 5V 1mA
Travel	Center 0.9mm Min
Operating Force	Lever 70 ± 50 gf
	Center 200 ± 100 gf
Operating Life (cycles)	100,000

CONTACT 建倚科技股份有限公司
CONTACT TECHNOLOGY CORP.

TOLERANCE UNLESS OTHERWISE STATED:
 Up to 5 ±0.2
 Above 5 ~ 15 ±0.3
 Above 15 ~ 30 ±0.4
 Above 30 ~ 50 ±0.5
 Angle ±0.3°

3RD. ANGEL'S

UNITS MM

DRAWN BY:	DATE	MAT'L	TITLE	SWITCH
Jack Lu	04/12/13		MODLE	LEVER PUSH SWITCH
CHECKED BY:	DATE	FINISH	DWG NO.	K01C-S126
Jacky Chen	04/12/13		PART NO.	K01C-S126
APPROVED BY:	DATE	SCALE	1 : 1	
Tony Kao	04/12/13	SHEET NO.	1 of 1	

ITEM NO.	DESCRIPTION	DRAWN	DATE

SIZE A4
VER R