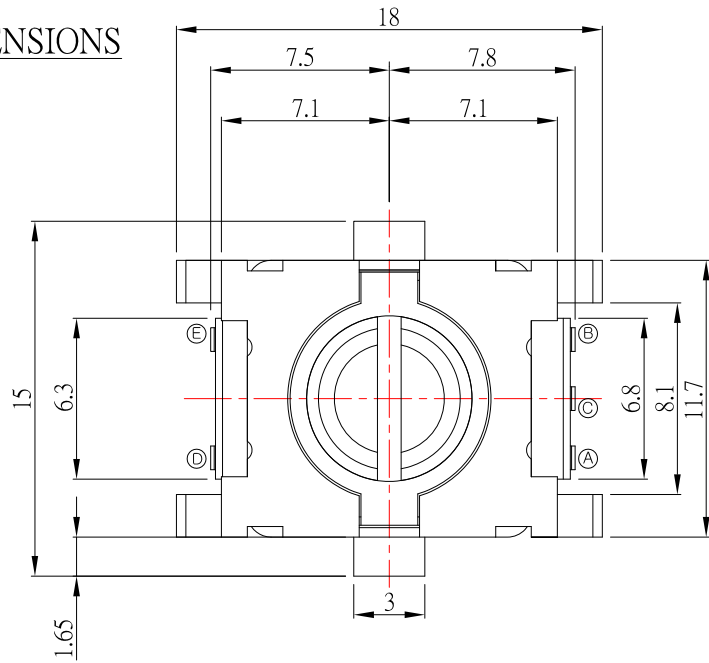
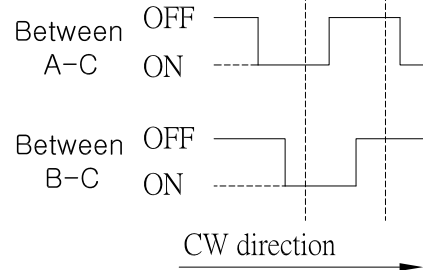


DIMENSIONS



(SW01) ENCODER
(SW02) PUSH ON SW

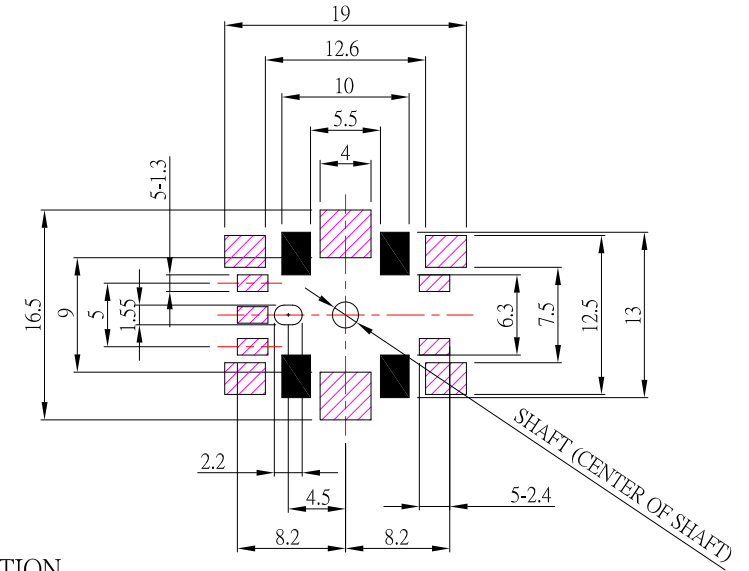
CLICK Position



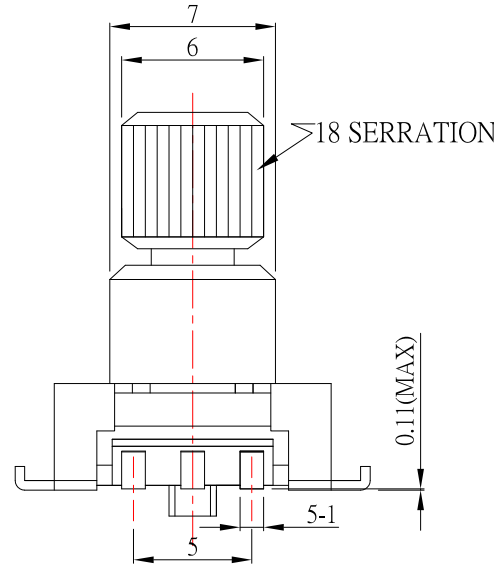
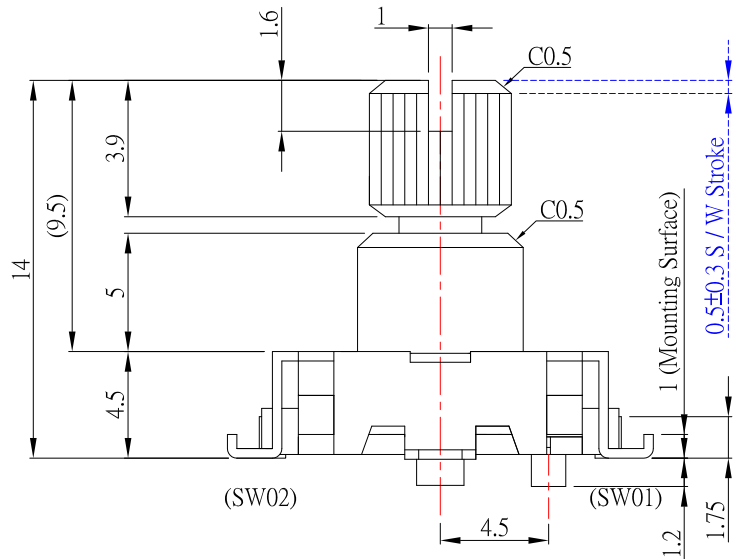
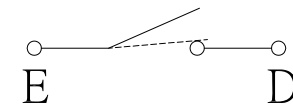
(SW01) OUTPUT



P.C.BOARD MOUNTING HOLE DIMENSIONS



(SW02)CIRCUIT DIAGRAM



2	公差及料號更新	Jack	072313
1	圖面更新	Frank Wu	021012
ITEM NO.	DESCRIPTION	DRAWN	DATE

CONTACT 建倚科技股份有限公司
CONTACT TECHNOLOGY CORP.

TOLERANCE UNLESS OTHERWISE STATED:
 Up to 5 ±0.2
 Above 5 ~ 15 ±0.3
 Above 15 ~ 30 ±0.4
 Above 30 ~ 50 ±0.5
 Angle ±0.3

3RD. ANGEL'S

UNITS MM

DRAWN BY:	DATE	MAT'L	TITLE	ENCODER
Jack Lu	07/23/13			
CHECKED BY:	DATE	FINISH	MODLE	ENCODER W/I SWITCH
Jacky Chen	07/23/13			
APPROVED BY:	DATE	SCALE	DWG NO.	E-C11E15-14
Tony Kao	07/23/13	1 : 1	PART NO.	E-C11E15-14
		SHEET NO.	1 of 1	
				SIZE A4
				VER R2