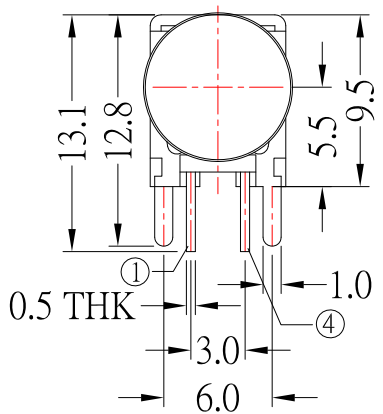
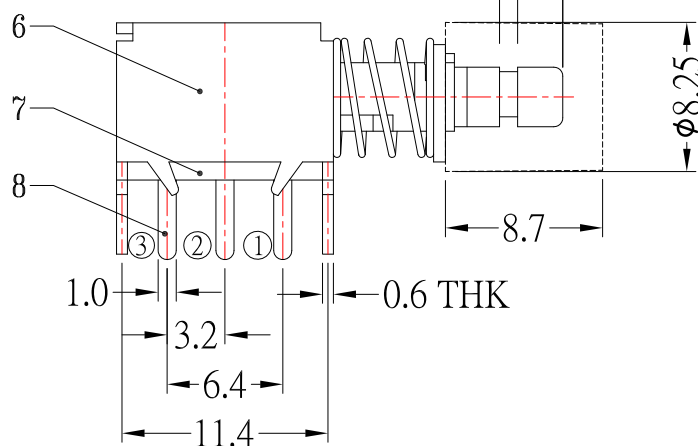


P.C.B LAYOUT MOUNTING PATTERN
BOTTOM VIEW

SCHEMATIC (NON-SHORTING)

3.5 TOTAL TRAVEL
2.5±0.3 LOCK TRAVEL



SPECIFICATIONS:

1. Rating: DC 12V 3.0A
2. Insulation Resistance: 100 MΩ Min/DC 500V
3. Function: Non-Shorting
4. Contact Resistance: 30 mΩ Max
5. Withstand Voltage: AC 500V / 1 Min
6. Operating Mode: Self-Lock

NO.	PART NAME	MATERIAL	QTY.	FINISHING
9	CONTACT CLIP	PBS	2	Ag PLATED
8	TERMINAL	BRASS	6	Ag PLATED OVER Ni PLATED
7	BASE	PHENOLIC RESIN	1	NATURAL
6	FRAME	SPCC	1	Ni PLATED
5	SPRING PLATE	PBS	1	NATURAL
4	CAM STICK	PBS	1	NATURAL
3	SPRING	STAINLESS STEEL	1	Ni PLATED
2	BLOCK	STAINLESS STEEL	1	Ni PLATED
1	KNOB	PA66	1	BLACK

ITEM NO.	DESCRIPTION	DRAWN	DATE
4	新增SCHEMATIC中PIN編號	Jack	033015
3	新增PIN編號	Jack	032515
2	新增Operating Mode	Jack	072814
1	新增PCB LAYOUT尺寸	Jack	051414

CONTACT 建倚科技股份有限公司
CONTACT TECHNOLOGY CORP.

TOLERANCE UNLESS OTHERWISE STATED:
 Up to 5 ±0.2
 Above 5 ~ 15 ±0.3
 Above 15 ~ 30 ±0.4
 Above 30 ~ 50 ±0.5
 Angle ±0.3

3RD. ANGEL'S

UNITS MM

DRAWN BY:	DATE	MAT'L	TITLE	SWITCH
Jack Lu	03/30/15			
CHECKED BY:	DATE	FINISH	MODLE	PUSH SWITCH
Jacky Chen	03/30/15			
APPROVED BY:	DATE	SCALE	DWG NO.	PS-22F433+C102-K
Tony Kao	03/30/15	1 : 1		
		SHEET NO.	PART NO.	PS-22F433+C102-K
		1 of 1		
				SIZE A4
				VER R4