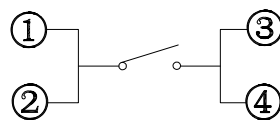
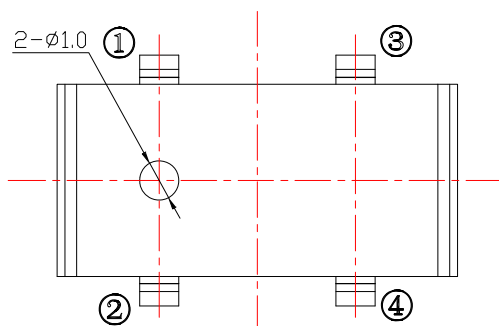


### MOUNTING HOLES

### SPECIFICATION

1. RATING : DC12V, 0.1A ;
2. CONTACT RESISTANCE : ≤ 100mΩ ;
3. INSULATION RESISTANCE : ≥ 100MΩ ;
4. OPERATING TEMPERATURE : -25°C ~ +80°C ;
5. HUMIDITY APPLICATION : < 85% RH ;
6. OPERATING FORCE : 40±15gf ;
7. LIFE : 50,000 CYCLES ;



### SCHEMATIC

⑤	Terminal	4	BRASS	Ag Plating
④	Base	1	NYLON	Black
③	Contact	1	PHOSPHOR BRONZE	Ag Plating
②	Cover	1	POM	Black
①	Button	1	POM	Black
ITEM	PART NAME	QTY	MATERIAL	FINISHING

**CONTACT** 建倚科技股份有限公司  
CONTACT TECHNOLOGY CORP.

TOLERANCE UNLESS OTHERWISE STATED:

Up to 5 ±0.2  
Above 5 ~ 15 ±0.3  
Above 15 ~ 30 ±0.4  
Above 30 ~ 50 ±0.5  
Angle ±0.3°

3RD. ANGEL'S



UNITS

MM

DRAWN BY:	DATE	MAT'L	TITLE	SWITCH
Jack Lu	03/19/20	FINISH	MODLE	DETECTOR SWITCH
CHECKED BY:	DATE	SCALE	DWG NO.	RM021-01C-S379
Jacky Chen	03/19/20	SHEET NO.	PART NO.	RM021-01C-S379
APPROVED BY:	DATE			
Tony Kao	03/19/20			

ITEM NO.	DESCRIPTION	DRAWN	DATE