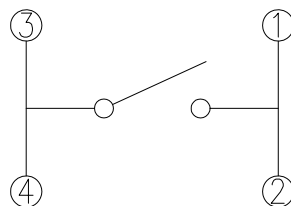
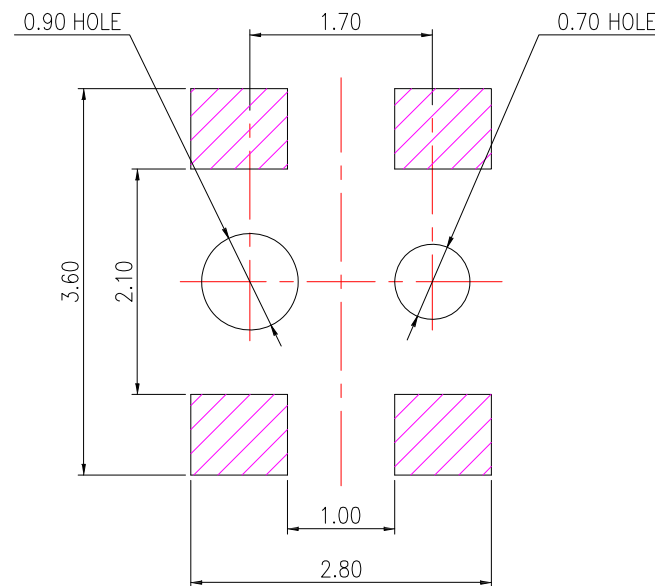
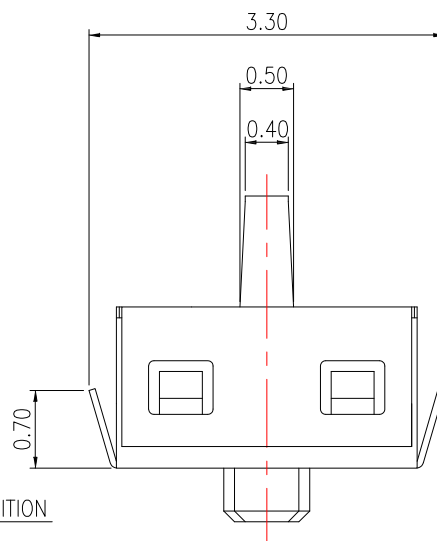
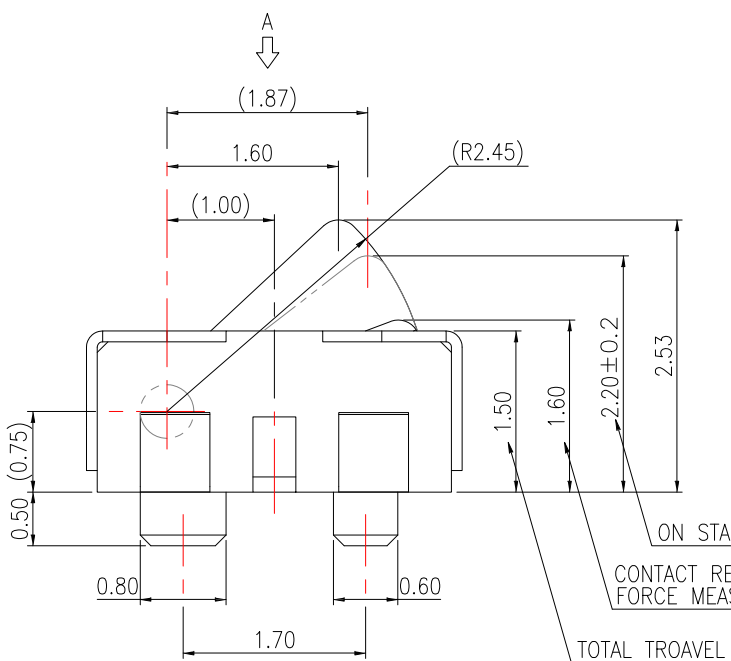


CIRCUIT



SPECIFICATIONS

1. RATING: DC 5.0V, 1.0mA
2. CONTACT RESISTANCE: 2Ω Max.
3. INSULATION RESISTANCE: 100MΩ Min.
4. WITHSTAND VOLTAGE: AC 100V-1 MINUTE.
5. OPERATING FORCE: 50gf Max.
6. OPERATING LIFE CYCLE: 100,000 CYCLES.



P.C.B. LAYOUT
(VIEW FROM THE DIRECTION A)

ITEM NO.	DESCRIPTION	DRAWN	DATE
3	新增SPEC	Jack	040114
2	變更為AO版	Jack	011514
1	新增尺寸公差	Jack	052713

CONTACT 建倚科技股份有限公司
CONTACT TECHNOLOGY CORP.

TOLERANCE UNLESS OTHERWISE STATED:	Up to 5 ±0.2	3RD. ANGEL'S	UNITS	MM
	Above 5 ~ 15 ±0.3			
	Above 15 ~ 30 ±0.4			
	Above 30 ~ 50 ±0.5			
	Angle ±0.3°			

DRAWN BY:	DATE	MAT'L	TITLE	SWITCH
Jack Lu	04/01/14		MODLE	DETECTOR SWITCH
CHECKED BY:	DATE	FINISH	DWG NO.	DS-C20E-S008
Jacky Chen	04/01/14	SCALE 1 : 1	PART NO.	DS-C20E-S008
APPROVED BY:	DATE	SHEET NO.	1 of 1	SIZE A4
Tony Kao	04/01/14			VER A1