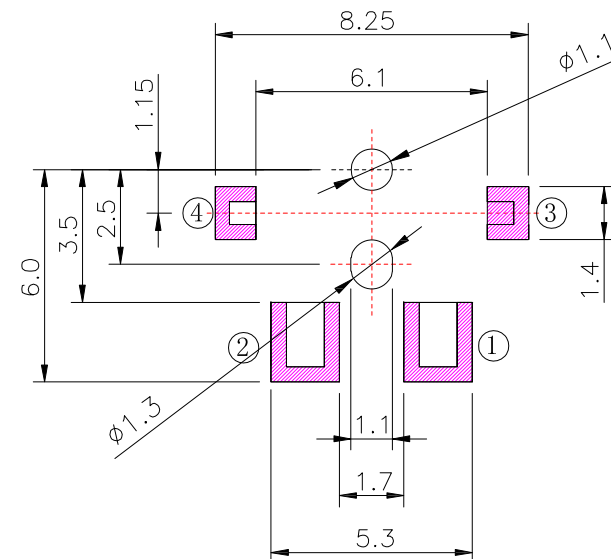
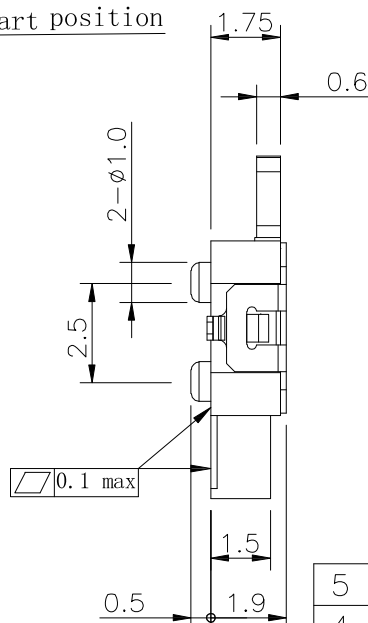
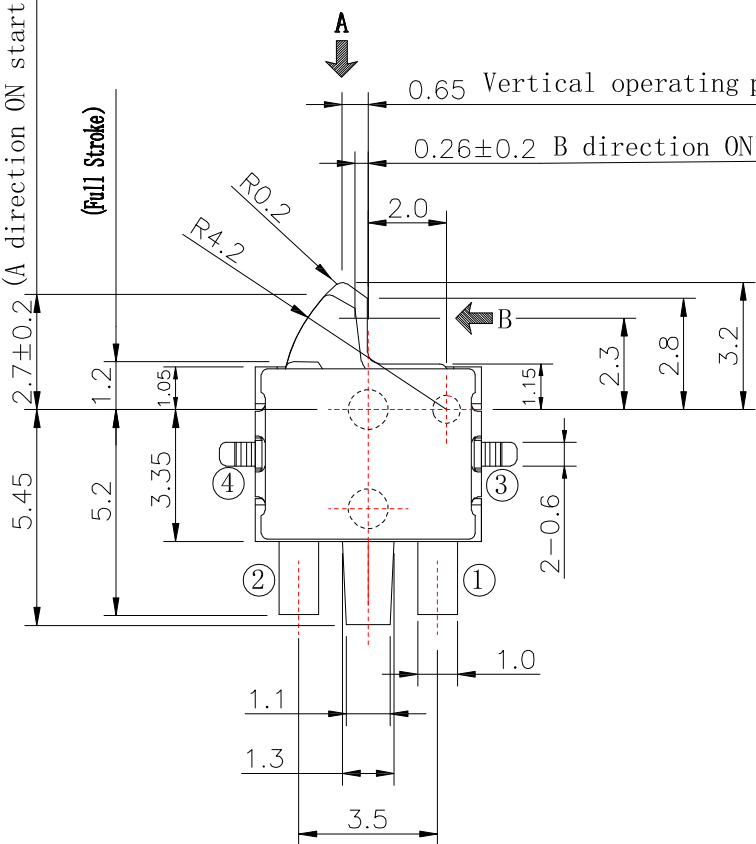


CIRCUIT DIAGRAM



P.C.B LAYOUT

(Full Stroke)
(A direction ON start position)



SPECIFICATIONS

Rating	DC 12V, 0.1A.
Contact Resistance	500mΩ Max.
Insulation Resistance	100MΩ Min.
Operating Force	40±20 gf
Mechanical Life	50,000 cycles

NO	NAME	MATERIAL	QTY	FINISHING
5	CONTACT SPRING	PHOSPHOR BRONZE	1	Ag PLATED
4	TERMINAL	BRASS	2	Ag PLATED
3	COVER	SUS	1	
2	BASE	PA66	1	BLACK
1	KNOB	PA66	1	BLACK

CONTACT 建倚科技股份有限公司
CONTACT TECHNOLOGY CORP.

TOLERANCE UNLESS OTHERWISE STATED :
Up to 5 ±0.2
Above 5 ~ 15 ±0.3
Above 15 ~ 30 ±0.4
Above 30 ~ 50 ±0.5
Angle ±0.3

3RD. ANGEL'S

UNITS MM

DRAWN BY:	DATE	MAT'L	TITLE	SWITCH
Jack Lu	11/17/25	FINISH	MODEL	DETECTOR SWITCH
CHECKED BY:	DATE	SCALE	DWG NO.	DS-A50-GND-S379
Jacky Chen	11/17/25	1 : 1	PART NO.	DS-A50-GND-S379
APPROVED BY:	DATE	SHEET NO.	1 of 1	
Tony Kao	11/17/25			

3	更新SPEC	Jack	111725
2	更新圖面	Jack	051324
1	更新料號	Jack	010720
ITEM NO.	DESCRIPTION	DRAWN	DATE

SIZE A4
VER R3