

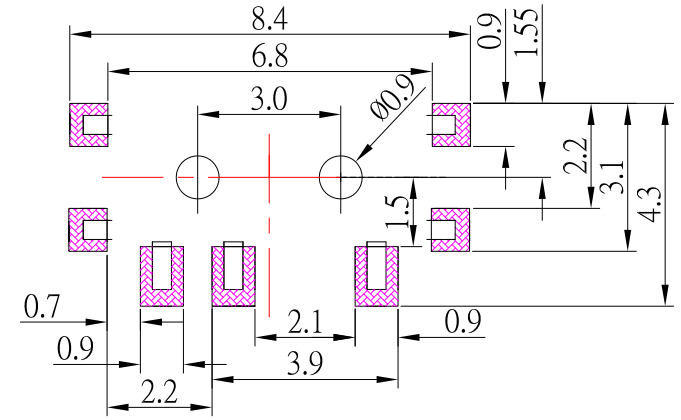
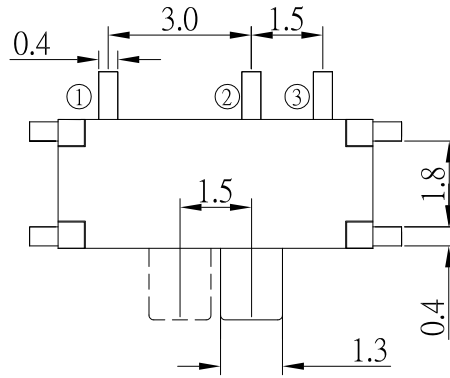


SS-B90APx-x-S246

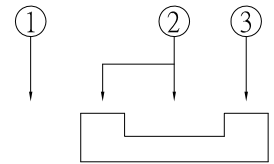
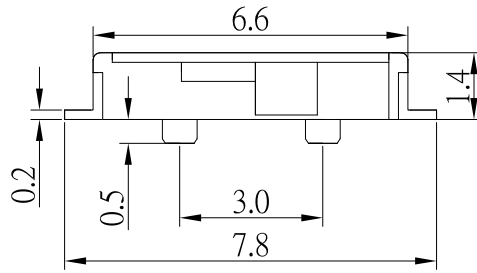
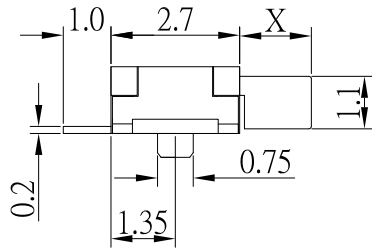
Model No.	X (mm)
SS-B90AP	1.5
SS-B90APK	2.0
SS-B90APL	2.5

SLIDER COLOR :

Black : B
White : W



P.C.B LAND PATTERN



CIRCUIT DIAGRAM

SPECIFICATIONS

Rating	0.3A 4V DC
Insulation Resistance	50MΩ Min.
Dielectric Withstanding Voltage	AC 250 V(50Hz)1min
Contact Resistance	100mΩ Max.
Operating Force	160 ± 100gf
Operating Life	10,000 cycles

NO.	DESCRIPTION	QTY	MATERIAL	PLATING
F	CLIP	1	BeCu	Ag plated
E	TERMINAL	1	PHOSPHOR BRONZE	Ag plated
D	SPRING	1	SUS	
C	COVER	1	BRASS	Ag plated
B	CASE	1	LCP	Black
A	SLIDER	1	PA46	

6	新增尺寸	Jack	032718
5	新增柄長選項	Jack	090116
4	更新為A0版	Jack	012016
3	更新Operating Force : 160 ± 100gf	Jack	052314
2	更新材質	Jack	031814
1	更新SLIDER COLOR : Black : B	Jack	022614
ITEM NO.	DESCRIPTION	DRAWN	DATE

CONTACT 建倚科技股份有限公司
CONTACT TECHNOLOGY CORP.

TOLERANCE UNLESS OTHERWISE STATED :
 Up to 5 ±0.2
 Above 5 ~ 15 ±0.3
 Above 15 ~ 30 ±0.4
 Above 30 ~ 50 ±0.5
 Angle ±0.3°

3RD. ANGEL'S

UNITS MM

DRAWN BY:	DATE	MAT'L	TITLE	SWITCH
Jack Lu	03/27/18			
CHECKED BY:	DATE	FINISH	MODLE	SLIDE SWICTH
Jacky Chen	03/27/18			
APPROVED BY:	DATE	SCALE	DWG NO.	SS-B90APx-x-S246
Tony Kao	03/27/18	1 : 1	PART NO.	SS-B90APx-x-S246
		SHEET NO.	1 of 1	
				SIZE A4
				VER A2