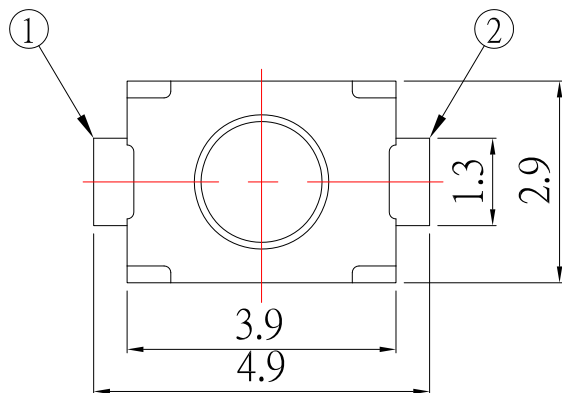
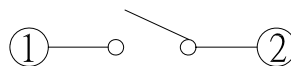


P.C.B. LAYOUT MOUNTING PATTERN



Model No.	H (mm)	Knob Color
TS-A85E	2.0	BLACK
TS-A85AE	2.5	BLACK
TS-A85GE	4.0	BLACK
TS-A85CE	7.0	BLACK



CIRCUIT DIAGRAM

SPECIFICATIONS

Rating	DC 12V 50mA Max.			
Contact Resistance	100mΩ Max.			
Travel	0.15 ± 0.1mm			
Operating Force	1	2	3	4
	130 ± 50gf	160 ± 50gf	250 ± 50gf	320 ± 50gf
Operating Life (cycles)	100,000			

NO.	DESCRIPTION	QTY	MATERIAL	PLATING
F	DUST COVER	1	PI FILM	
E	TERMINAL	4	PHOSPHOR BRONZE	Ag plated
D	CONTACT	1	SUS	Ag plated
C	COVER	1	SUS	
B	CASE	1	LCP	
A	STEM	1	LCP	

8	新增材質表	Jack	080620
7	新增Operating Force:320 ± 50gf	Jack	051118
6	新增Operating Force:130 ± 50gf	Jack	091117
5	更新Knob Color	Jack	090516
4	更新Knob Color	Jack	083116
3	更新尺寸及Travel	Jack	121114
2	刪除1.80高度選項	Jack	110714
1	更新Travel	Jack	123113
ITEM NO.	DESCRIPTION	DRAWN	DATE

CONTACT 建倚科技股份有限公司
CONTACT TECHNOLOGY CORP.

TOLERANCE UNLESS OTHERWISE STATED:
 Up to 5 ± 0.2
 Above 5 ~ 15 ± 0.3
 Above 15 ~ 30 ± 0.4
 Above 30 ~ 50 ± 0.5
 Angle ± 0.3

3RD. ANGEL'S



UNITS MM

DRAWN BY:	DATE	MAT'L	TITLE	SWITCH
Jack Lu	08/06/20		MODLE	TACT SWITCH
CHECKED BY:	DATE	FINISH	SCALE	1 : 1
Jacky Chen	08/06/20		DWG NO.	TS-A85xE-x-s126
APPROVED BY:	DATE	SHEET NO.	PART NO.	TS-A85xE-x-s126
Tony Kao	08/06/20	1 of 1	SIZE	A4
			VER	A5