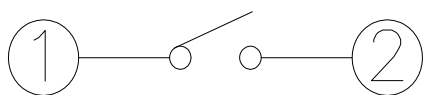
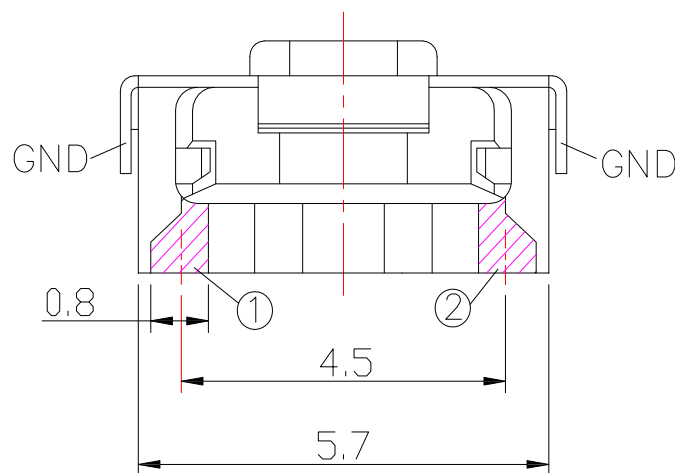


P.C.B LAYOUT



CIRCUIT DIAGRAM



SPECIFICATIONS

Rating	DC 12V 50mA
Contact Resistance	100mΩ Max.
Insulation Resistance	100MΩ Min
Travel	0.25±0.1mm
Operating Force	2   160 ± 50gf   3   250 ± 50gf
Operating Life (cycles)	100,000
Operating Temperature Range	-20° ~ +70° C
Storage Temperature Range	-40° ~ +85° C



建倚科技股份有限公司  
CONTACT TECHNOLOGY CORP.

TOLERANCE UNLESS OTHERWISE STATED:

Up to 5 ±0.2  
Above 5 ~ 15 ±0.3  
Above 15 ~ 30 ±0.4  
Above 30 ~ 50 ±0.5  
Angle ±0.3°

3RD. ANGEL'S



UNITS MM

DRAWN BY: Jack Lu  
CHECKED BY: Jacky Chen  
APPROVED BY: Tony Kao

DATE: 12/07/15  
DATE: 12/07/15  
DATE: 12/07/15

MAT'L		TITLE	SWITCH
FINISH		MODLE	TACT SWITCH
SCALE	1 : 1	DWG NO.	TS-A34-x-S138
SHEET NO.	1 of 1	PART NO.	TS-A34-x-S138
		SIZE	A4
		VER	R3

3	更新PCB LAYOUT	Jack	120715
2	新增PIN標示	Jack	110215
1	更新SPEC	Jack	040914
ITEM NO.	DESCRIPTION	DRAWN	DATE