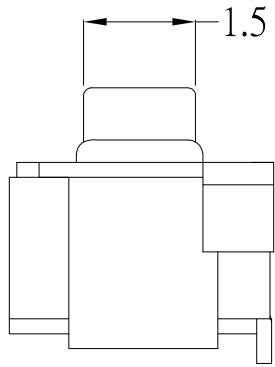
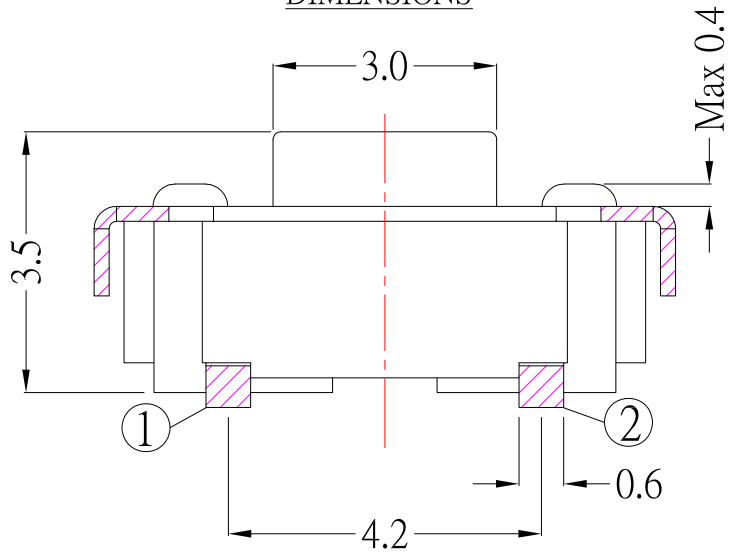
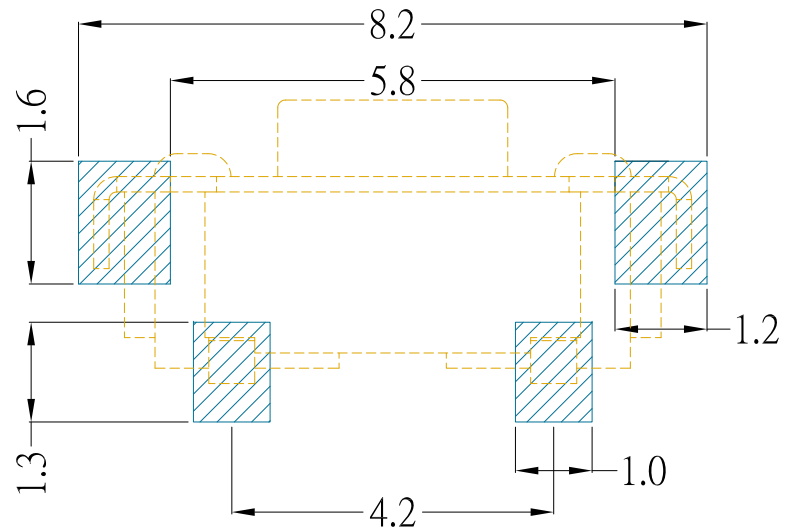




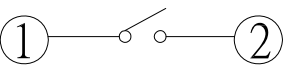
DIMENSIONS



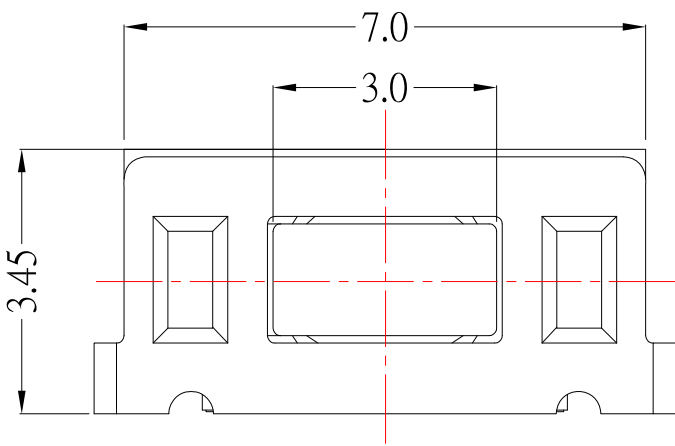
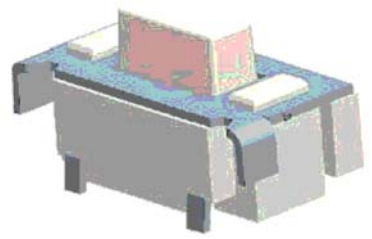
P.C.B. LAYOUT MOUNTING PATTERN



CIRCUIT DIAGRAM



PRODUCT IMAGE



SPECIFICATIONS

Rating	DC 12V 50mA Max.			
Contact Resistance	100mΩ Max.			
Travel	0.25 ± 0.1mm			
Operating Force	2	160 ± 30gf	3	250 ± 50gf
Operating Life (cycles)	50,000		30,000	

CONTACT 建倚科技股份有限公司
CONTACT TECHNOLOGY CORP.

TOLERANCE UNLESS OTHERWISE STATED :
 Up to 5 ±0.2
 Above 5 ~ 15 ±0.3
 Above 15 ~ 30 ±0.4
 Above 30 ~ 50 ±0.5
 Angle ±0.3

3RD. ANGEL'S



UNITS MM

DRAWN BY: Frank Wu
 CHECKED BY: Jacky Chen
 APPROVED BY: Tony Kao

DATE: 02/24/12
 DATE: 02/24/12
 DATE: 02/24/12

MAT'L
 FINISH
 SCALE: 1 : 1
 SHEET NO.: 1 of 1
 TITLE: SWITCH
 MODLE: TACT SWITCH
 DWG NO.: TS-A12-x-S126
 PART NO.: TS-A12-x-S126

SIZE: A4
 VER: A

ITEM NO.	DESCRIPTION	DRAWN	DATE