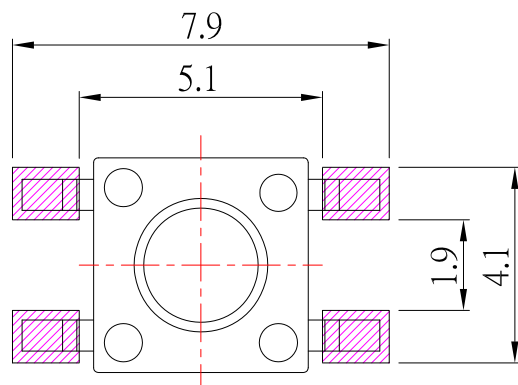
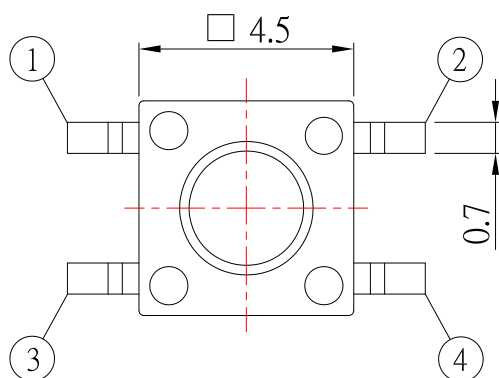


CIRCUIT DIAGRAM



P.C.B LAYOUT  
MOUNTING PATTERN

MODEL NO	Knob (L)
TS-A09S	3.8
TS-A09SA	7.0
TS-A09SB	4.8

SPECIFICATIONS

Rating	DC 12V 50mA Max.				
Contact Resistance	100mΩ Max.				
Travel	0.25 ± 0.1mm				
Operating Force	0 100 ± 30gf	1 130 ± 30gf	2 160 ± 50gf	3 250 ± 50gf	4 320 ± 50gf
Operating Life (cycles)	100,000			80,000	



建倚科技股份有限公司  
CONTACT TECHNOLOGY CORP.

TOLERANCE UNLESS  
OTHERWISE STATED:

Up to 5 ±0.2  
Above 5 ~ 15 ±0.3  
Above 15 ~ 30 ±0.4  
Above 30 ~ 50 ±0.5  
Angle ±0.3°

3RD.  
ANGEL'S



UNITS MM

DRAWN BY:	DATE	MAT'L	TITLE	SWITCH
Jack Lu	08/10/15			
CHECKED BY:	DATE	FINISH	MODLE	TACT SWITCH
Jacky Chen	08/10/15			
APPROVED BY:	DATE	SCALE	DWG NO.	TS-A09S-x-S126
Tony Kao	08/10/15	1 : 1	PART NO.	TS-A09S-x-S126
		SHEET NO.	1 of 1	
				SIZE A4
				VER A2