

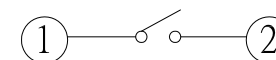
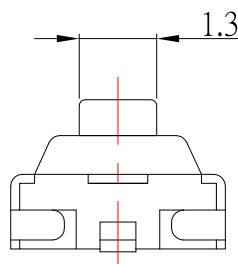
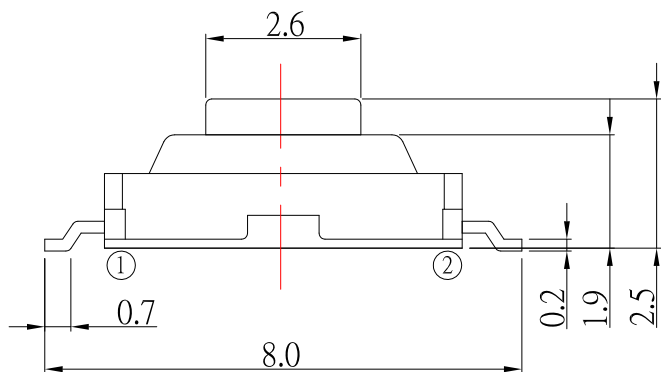


TS-A07GS-x-x-S126

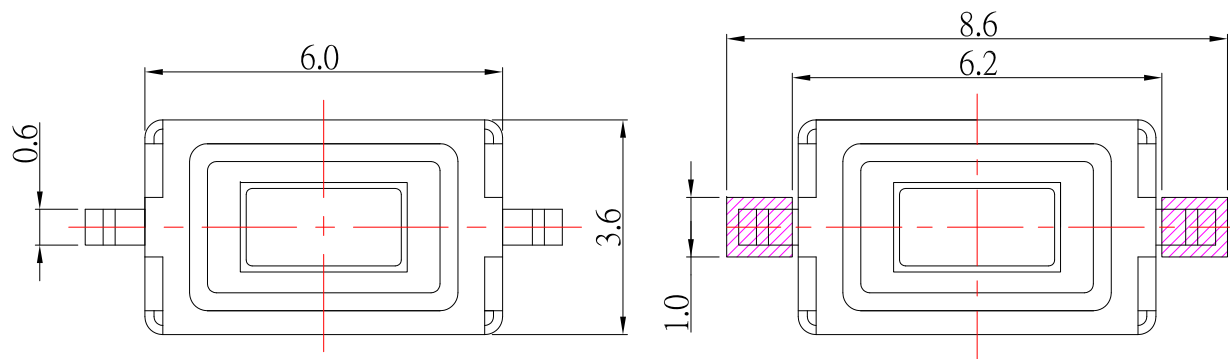
Operating Force

Color:

| | | |
|---|------------|------------|
| W | Case:White | Knob:White |
| R | Case:Black | Knob:Red |



CIRCUIT DIAGRAM



P.C.B MOUNTING PATTERN DIMENSION

The following soldering patterns are recommended for reflow soldering

SPECIFICATIONS

| | | | |
|------------------------|--------------|--------------|--------------|
| Rating | DC 12V 50mA | | |
| Contact Resistance | 100mΩ Max. | | |
| Travel | 0.25 ± 0.1mm | | |
| Operating Force | 1 130±30gf | 2 160±30gf | 3 250±50gf |
| Operating Life(cycles) | 50,000 | | 30,000 |



建倚科技股份有限公司
CONTACT TECHNOLOGY CORP.

TOLERANCE UNLESS OTHERWISE STATED:

Up to 5 ±0.2
Above 5 ~ 15 ±0.3
Above 15 ~ 30 ±0.4
Above 30 ~ 50 ±0.5
Angle ±0.3°

3RD. ANGEL'S



UNITS MM

DRAWN BY: Jack Lu
CHECKED BY: Jacky Chen
APPROVED BY: Tony Kao

DATE: 11/14/14
DATE: 11/14/14
DATE: 11/14/14

MAT'L
FINISH
SCALE: 1 : 1
SHEET NO.: 1 of 1
TITLE: SWITCH
MODLE: TACT SWITCH
DWG NO.: TS-A07GS-x-x-S126
PART NO.: TS-A07GS-x-x-S126

SIZE: A4
VER: R1

| ITEM NO. | DESCRIPTION | DRAWN | DATE |
|----------|-------------|-------|--------|
| 1 | 更新料號 | Jack | 111414 |