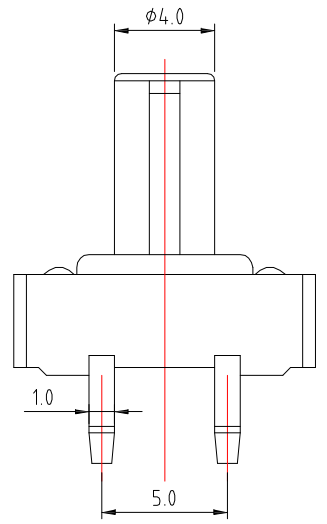
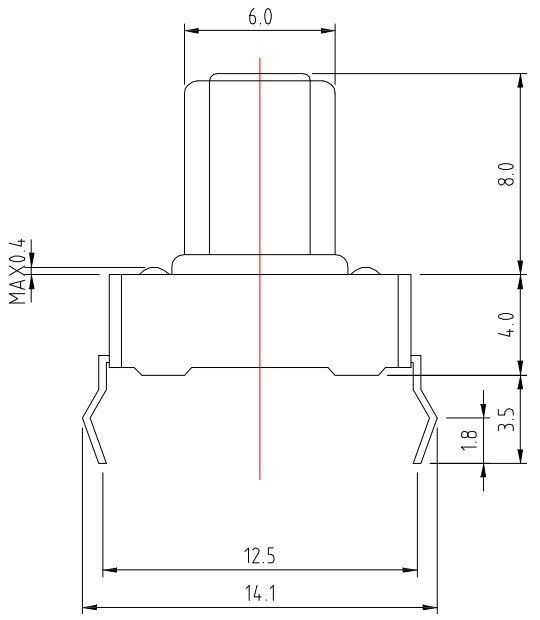


P.C.B. LAYOUT MOUNTING PATTERN

CIRCUIT DIAGRAM



SPECIFICATIONS

Rating	DC 12V 50mA Max.	
Contact Resistance	100mΩ Max.	
Travel	0.3 ± 0.15mm	
Operating Force	2 160 ± 50gf	3 250 ± 50gf
Operating Life (cycles)	100,000	80,000

CONTACT 建倚科技股份有限公司
CONTACT TECHNOLOGY CORP.

TOLERANCE UNLESS OTHERWISE STATED :
 Up to 5 ±0.2
 Above 5 ~ 15 ±0.3
 Above 15 ~ 30 ±0.4
 Above 30 ~ 50 ±0.5
 Angle ±0.3

3RD. ANGEL'S



UNITS MM

DRAWN BY:	DATE	MAT'L	TITLE	SWITCH
Jack Lu	11/20/14		MODLE	TACT SWITCH
CHECKED BY:	DATE	FINISH	SCALE	1 : 1
Jacky Chen	11/20/14		DWG NO.	TS-A03A-x-S090
APPROVED BY:	DATE	SHEET NO.	PART NO.	TS-A03A-x-S090
Tony Kao	11/20/14	1 of 1		

ITEM NO.	DESCRIPTION	DRAWN	DATE