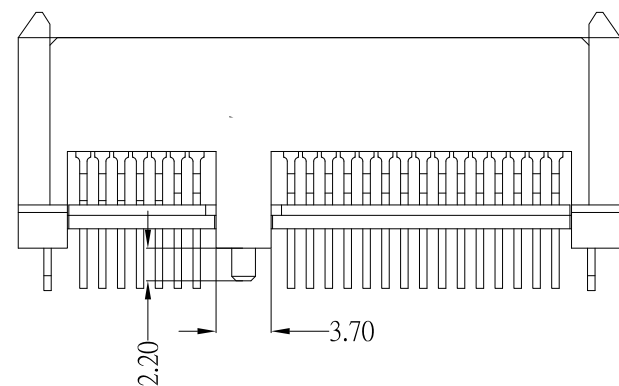
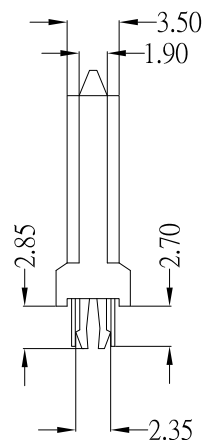
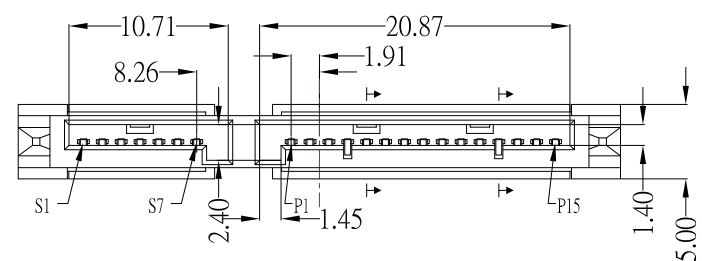
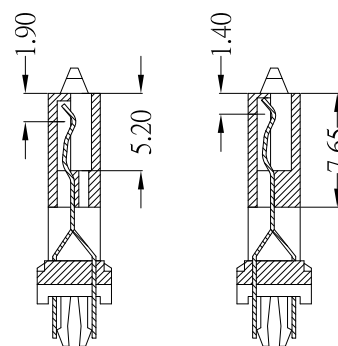


RECOMMENDED PCB LAYOUT



**SPECIFICATION:**

**1.MATERIAL:**

- 1.1 HOUSING: LCP , UL 94V-0 , Black.
- 1.2 CONTACT: PHOSPHOR BRONZE
- 1.3 PEG: BRASS

**2.Finish:**

- 2.1 CONTACT: PLATED GOLD IN MATING AREA ;  
TIN PLATED ON SOLDER BALLS ;  
NICKEL UNDER PLATED OVERALL
- 2.2 PEG: TIN PLATED ON SOLDER BALLS ;  
NICKEL UNDER PLATED OVERALL

**CONTACT** 建倚科技股份有限公司  
**CONTACT TECHNOLOGY CORP.**

TOLERANCE UNLESS OTHERWISE STATED:  
Up to 5 ±0.2  
Above 5 ~ 15 ±0.3  
Above 15 ~ 30 ±0.4  
Above 30 ~ 50 ±0.5  
Angle ±0.3°

3RD. ANGEL'S



UNITS

MM

DRAWN BY:	DATE	MAT'L	TITLE	CONNECTOR
Jack Lu	12/11/14		MODLE	SATA 7+15P 母座 180度 雙排腳 DIP 加高型
CHECKED BY:	DATE	SCALE	DWG NO.	SATA-F22-141VH2-S268
Jacky Chen	12/11/14	1 : 1	PART NO.	SATA-F22-141VH2-S268
APPROVED BY:	DATE	SHEET NO.	1 of 1	
Tony Kao	12/11/14			

1	新增尺寸	Jack	121114
ITEM NO.	DESCRIPTION	DRAWN	DATE