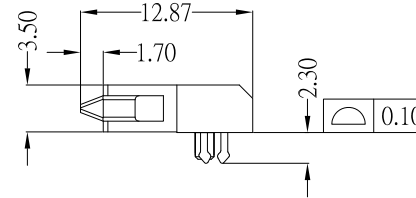
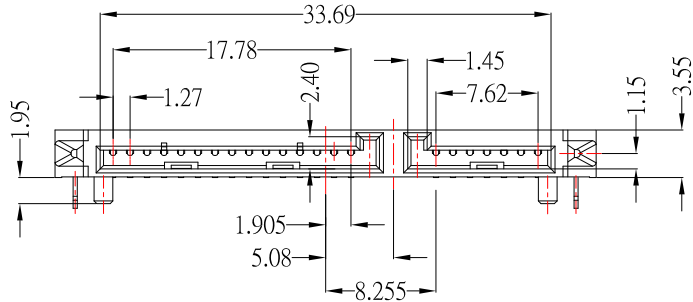


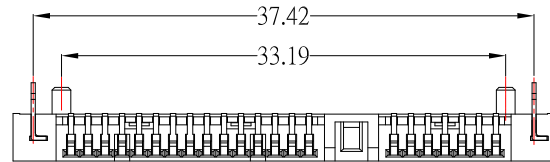
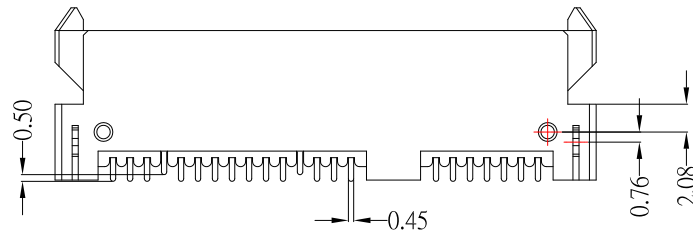
RECOMMENDED PCB LAYOUT



SATA-F22-35S-x-S268

鍍層厚度:

Blank : 1u"
2 : 15u"
3 : 30u"



SPECIFICATION:

1.MATERIAL:

- 1.1 HOUSING: LCP , UL 94V-0 , Black.
- 1.2 CONTACT: PHOSPHOR BRONZE
- 1.3 BOARD: BRASS

2.Finish:

- 2.1 CONTACT: PLATED TIN IN MATING AREA ;
TIN PLATED ON SOLDER BALLS ;
NICKEL UNDER PLATED OVERALL
- 2.2 BOARD: TIN PLATED ON SOLDER BALLS ;
NICKEL UNDER PLATED OVERALL

ITEM NO.	DESCRIPTION	DRAWN	DATE
1	新增鍍層選項及更新為A0版	Jack	040115

CONTACT 建倚科技股份有限公司
CONTACT TECHNOLOGY CORP.

TOLERANCE UNLESS OTHERWISE STATED :
Up to 5 ±0.2
Above 5 ~ 15 ±0.3
Above 15 ~ 30 ±0.4
Above 30 ~ 50 ±0.5
Angle ±0.3

3RD. ANGEL'S



UNITS MM

DRAWN BY:	DATE	MAT'L	TITLE	CONNECTOR
Jack Lu	04/01/15			
CHECKED BY:	DATE	FINISH	MODLE	SATA 7+15P Female R/A板下 SMT H:3.55mm
Jacky Chen	04/01/15			
APPROVED BY:	DATE	SCALE	DWG NO.	SATA-F22-35S-x-S268
Tony Kao	04/01/15	1 : 1		
		SHEET NO.	PART NO.	SATA-F22-35S-x-S268
		1 of 1		

SIZE	A4
VER	A0