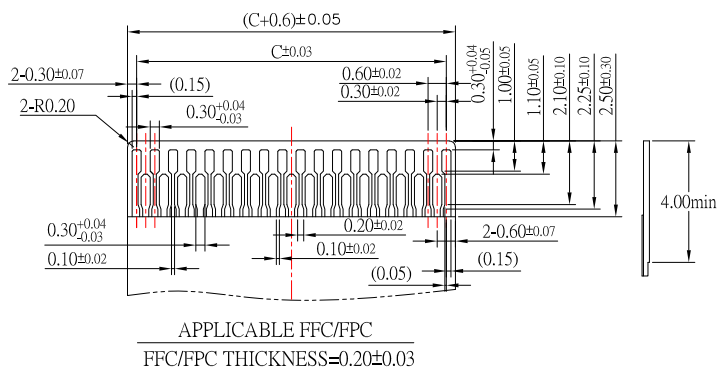


PCB LAYOUT



PIN NO.	DIM A	DIM B	DIM C	DIM D	DIM E
13	5.40	3.00	3.60	4.25	4.90
15	6.00	3.60	4.20	4.85	5.50
17	6.60	4.20	4.80	5.45	6.10
19	7.20	4.80	5.40	6.05	6.70
21	7.80	5.40	6.00	6.65	7.30
23	8.40	6.00	6.60	7.25	7.90
25	9.00	6.60	7.20	7.85	8.50
27	9.60	7.20	7.80	8.45	9.10
29	10.20	7.80	8.40	9.05	9.70
31	10.80	8.40	9.00	9.65	10.30
33	11.40	9.00	9.60	10.25	10.90
35	12.00	9.60	10.20	10.85	11.50
37	12.60	10.20	10.80	11.45	12.10
39	13.20	10.80	11.40	12.05	12.70
41	13.80	11.40	12.00	12.65	13.30
43	14.40	12.00	12.60	13.25	13.90
45	15.00	12.60	13.20	13.85	14.50
47	15.60	13.20	13.80	14.45	15.10
49	16.20	13.80	14.40	15.05	15.70
51	16.80	14.40	15.00	15.65	16.30
53	17.40	15.00	15.60	16.25	16.90
55	18.00	15.60	16.20	16.85	17.50
57	18.60	16.20	16.80	17.45	18.10
59	19.20	16.80	17.40	18.05	18.70
61	19.80	17.40	18.00	18.65	19.30
63	20.40	18.00	18.60	19.25	19.90
65	21.00	18.60	19.20	19.85	20.50
67	21.60	19.20	19.80	20.45	21.10
69	22.20	19.80	20.40	21.05	21.70
71	22.80	20.40	21.00	21.65	22.30

- Note:
- Material
 - 1: Housing: LCP, Color: Black.
 - 2: Cover: PA4T, Color:Black.
 - 3: Contact: Phosphor Bronze.
 - 4: Peg: Phosphor Bronze.
 - Plating
 - 2.1: Contact: Gold Plating over Nickel.
 - 2.2: Peg: Matte Tin Plating over Nickel.
 - Rating:
 - 3.1: Operating Voltage: 30V AC/DC.
 - 3.2: Current Rating: 0.3A AC/DC.
 - 3.3: Operating Temperature: -55°C~+85°C.

6	更新pin數選項	Jack	092324
5	更新圖面	Jack	040124
4	更新pin數選項	Jack	031924
3	更新Housing顏色	Jack	092523
2	新增APPLICABLE FPC尺寸	Jack	010423
1	新增pin數選項	Jack	101222
ITEM NO.	DESCRIPTION	DRAWN	DATE

CONTACT 建倚科技股份有限公司
CONTACT TECHNOLOGY CORP.

TOLERANCE UNLESS OTHERWISE STATED:

Up to 5	±0.2
Above 5 ~ 15	±0.3
Above 15 ~ 30	±0.4
Above 30 ~ 50	±0.5
Angle	±0.3°

3RD. ANGEL'S UNITS MM

DRAWN BY:	DATE	MAT'L	TITLE	CONNECTOR
Jack Lu	09/23/24	FINISH	MODLE	0.3 FPC下接 前掀蓋式 H:1.0
CHECKED BY:	DATE	SCALE	DWG NO.	FPC03L-10xx-B-S149
Jacky Chen	09/23/24	1 : 1	PART NO.	FPC03L-10xx-B-S149
APPROVED BY:	DATE	SHEET NO.	1 of 1	
Tony Kao	09/23/24			

SIZE	A4
VER	R6