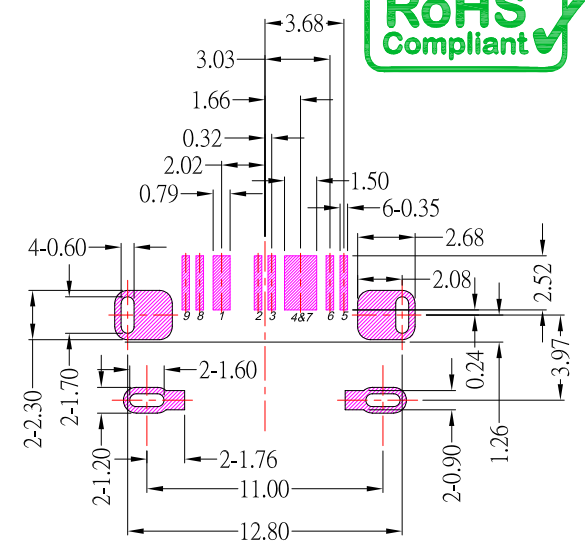
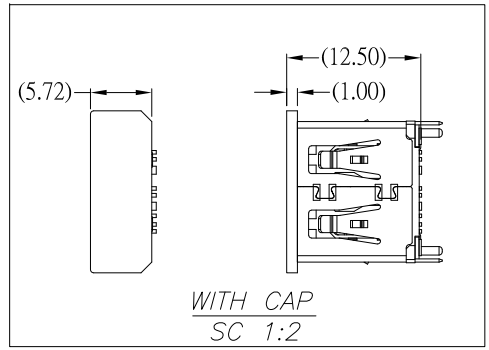


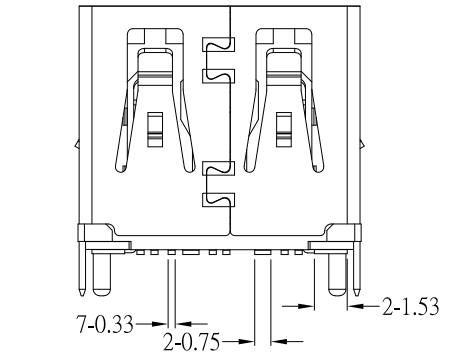
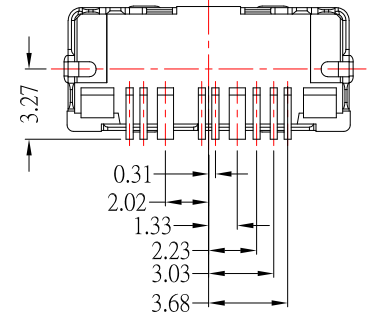
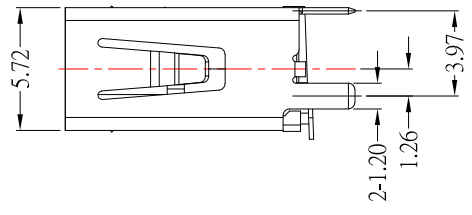
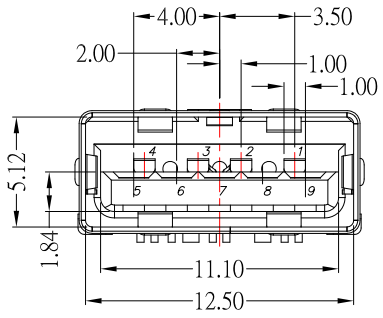
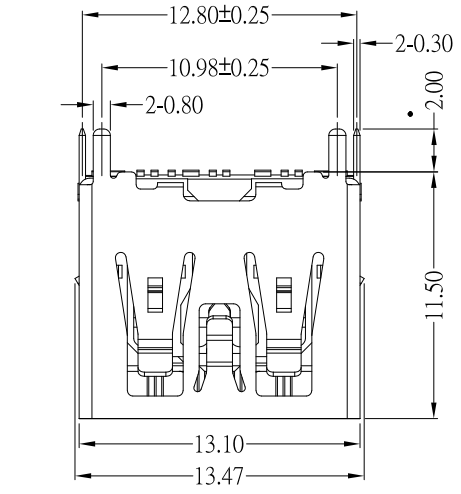


# SUA-110VS1-32x-S484

鍍層厚度：  
Blank : 1u"  
2 : 15u"  
3 : 30u"



## PCB LAYOUT



| Pin # | SIGNAL NAME | DESCRIPTION                           |
|-------|-------------|---------------------------------------|
| 1     | VBUS        | POWER                                 |
| 2     | D-          | USB 2.0 DIFFERENTIAL PAIR             |
| 3     | D+          | USB 2.0 DIFFERENTIAL PAIR             |
| 4     | GND         | GROUND FOR POWER RETURN               |
| 5     | StdA_SSRX-  | SUPERSPEED RECEIVER DIFFERENTIAL PAIR |
| 6     | StdA_SSRX+  | SUPERSPEED RECEIVER DIFFERENTIAL PAIR |
| 7     | GND_DRAIN   | GROUND FOR POWER RETURN               |
| 8     | StdA_SSRX-  | SUPERSPEED RECEIVER DIFFERENTIAL PAIR |
| 9     | StdA_SSRX+  | SUPERSPEED RECEIVER DIFFERENTIAL PAIR |
| SHELL | Shield      | CONNECTOR METAL SHELL                 |

NOTE:

- 1.MATERIAL:
  - 1.1 Housing: LCP,Blue
  - 1.2 Contact: Phosphor Bronze
  - 1.3 Shell: SUS
- 2.Finish:
  - 2.1 Contact: Plated Gold in Mating Area ;  
Tin Plated on Solder Balls ;  
Nickel under plated overall
  - 2.2 Shell: Nickel under Plated surface layer
- 3.SPECIFICATION:
  - 3.1 Rate: 30V DC , 1.8 A
  - 3.2 insulator Resistance:100MΩ Min
  - 3.3 Dielectric Strength: 100V AC
  - 3.4 Contact Resistance: 30mΩ Max
  - 3.5 Operation Temperature: -40°C ~ +85°C
  - 3.6 Insertion Force: 35 N Max
  - 3.7 Extraction Force: 9.8 N Min



|              |          |           |          |                                     |
|--------------|----------|-----------|----------|-------------------------------------|
| DRAWN BY:    | DATE     | MAT'L     | TITLE    | CONNECTOR                           |
| Jack Lu      | 11/18/25 | FINISH    | MODLE    | USB AF 3.2 直立式 SMT L11.50 外殼直腳 GEN2 |
| CHECKED BY:  | DATE     | SCALE     | DWG NO.  | SUA-110VS1-32x-S484                 |
| Jacky Chen   | 11/18/25 | 1 : 1     | PART NO. | SUA-110VS1-32x-S484                 |
| APPROVED BY: | DATE     | SHEET NO. | 1 of 1   |                                     |
| Tony Kao     | 11/18/25 |           |          |                                     |

|                                     |                    |              |       |    |
|-------------------------------------|--------------------|--------------|-------|----|
| TOLERANCE UNLESS OTHERWISE STATED : | Up to 5 ±0.2       | 3RD. ANGEL'S | UNITS | MM |
|                                     | Above 5 ~ 15 ±0.3  |              |       |    |
|                                     | Above 15 ~ 30 ±0.4 |              |       |    |
|                                     | Above 30 ~ 50 ±0.5 |              |       |    |
|                                     | Angle ±0.3         |              |       |    |

|          |             |       |      |
|----------|-------------|-------|------|
| ITEM NO. | DESCRIPTION | DRAWN | DATE |
|          |             |       |      |