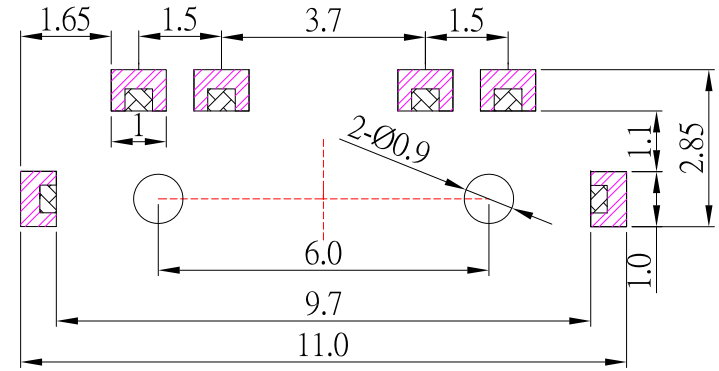
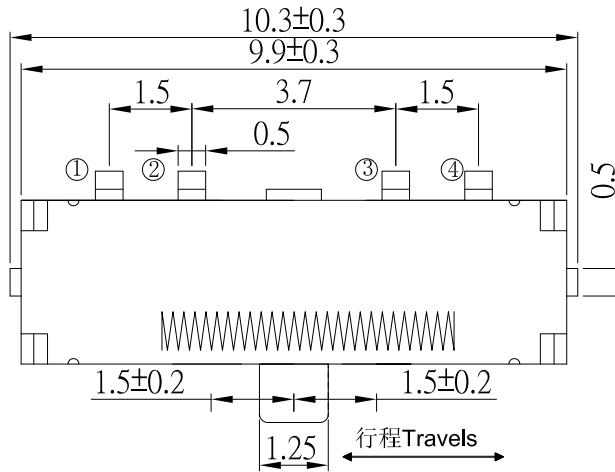
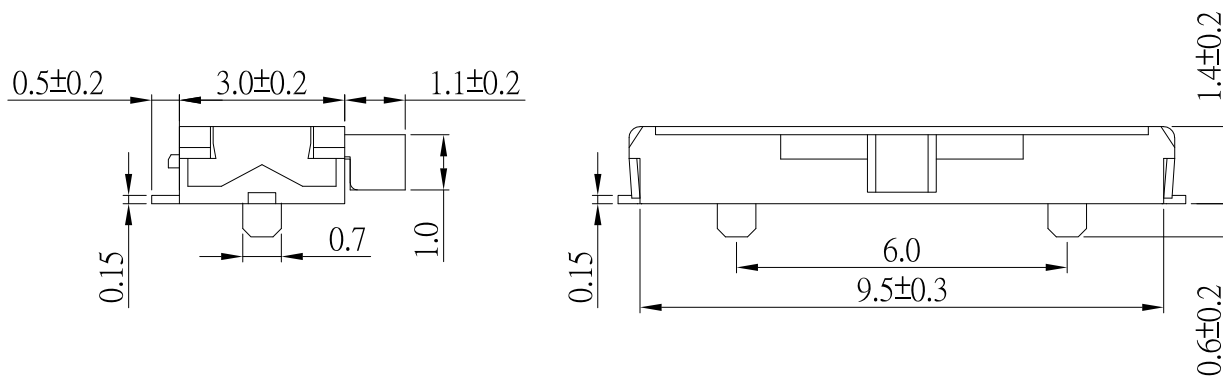


CIRCUIT DIAGRAM



P.C.B LAYOUT



SPECIFICATIONS

Rating	100mA ,12V DC
Insulation Resistance	50MΩ Min.
Dielectric Withstanding Voltage	AC 250 V(50Hz)1min
Contact Resistance	100mΩ Max.
Operating Force	160 ± 50gf
Operating Life	10,000 cycles

NO.	DESCRIPTION	QTY	MATERIAL	PLATING
F	SPRING	1	SUS	
E	TERMINAL	4	PHOSPHOR BRONZE	Ag plated
D	CLIP	1	PHOSPHOR BRONZE	Ag plated
C	COVER	1	SUS	
B	BASE	1	PA6T	Black
A	SLIDER	1	PA46	Black

CONTACT 建倚科技股份有限公司
CONTACT TECHNOLOGY CORP.

TOLERANCE UNLESS OTHERWISE STATED :
 Up to 5 ±0.2
 Above 5 ~ 15 ±0.3
 Above 15 ~ 30 ±0.4
 Above 30 ~ 50 ±0.5
 Angle ±0.3

3RD. ANGEL'S

UNITS MM

DRAWN BY:	DATE	MAT'L	TITLE	SWITCH
Jack Lu	06/23/25	FINISH	MODLE	SLIDE SWITCH 雙邊復位
CHECKED BY:	DATE	SCALE	DWG NO.	SS-C77R2-2-S246
Jacky Chen	06/23/25	1 : 1	PART NO.	SS-C77R2-2-S246
APPROVED BY:	DATE	SHEET NO.		
Tony Kao	06/23/25	1 of 1		

ITEM NO.	DESCRIPTION	DRAWN	DATE