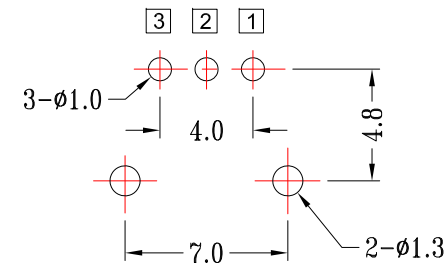
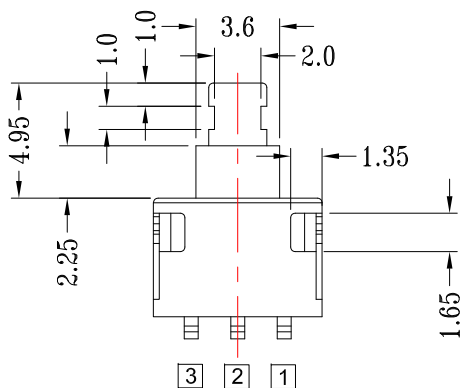
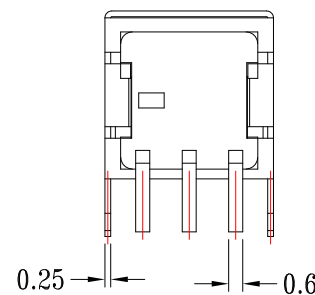
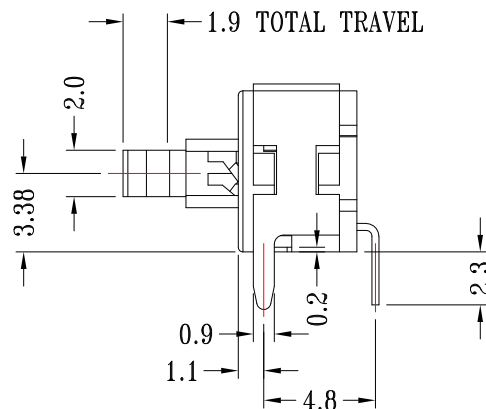
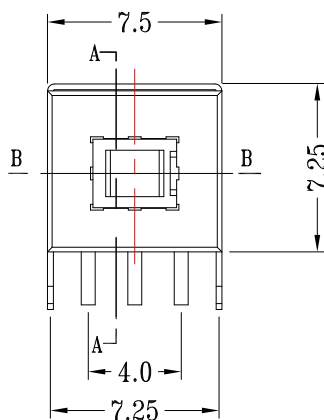


CIRCUIT DIAGRAM



P.C.B LAYOUT TOP VIEW



SPECIFICATIONS:

- 1.RATING: 12V DC , 50mA
- 2.CONTACT RESISTANCE: 100mΩ Max
- 3.INSULATION RESISTANCE: 100MΩ Min
- 4.OPERATING FORCE: 200±50 gf
- 5.OPERATING LIFE:10,000 Cycles
- 6.OPERATION: LOCK

NO.	NAME	MATERIALS	Q'TY	REMARK
7	SPRING	SUS	1	NATURAL
6	FRAME	SUS	1	Sn PLATED
5	METAL TERMINAL	BRASS	3	Ag PLATED
4	CASE	PPA	1	BLACK
3	COVER	PPA	1	GRAY
2	CONTACT PIECE	PBS	6	Ag CLAD
1	KNOB	PPA	1	WHITE

CONTACT 建倚科技股份有限公司
CONTACT TECHNOLOGY CORP.

TOLERANCE UNLESS OTHERWISE STATED :
 Up to 5 ±0.2
 Above 5 ~ 15 ±0.3
 Above 15 ~ 30 ±0.4
 Above 30 ~ 50 ±0.5
 Angle ±0.3

3RD. ANGEL'S

UNITS MM

DRAWN BY:	DATE	MAT'L	TITLE	SWITCH
Jack Lu	07/02/25	FINISH	MODLE	PUSH SWITCH
CHECKED BY:	DATE	SCALE	DWG NO.	PS-22E69AS-S190
Jacky Chen	07/02/25	1 : 1	PART NO.	PS-22E69AS-S190
APPROVED BY:	DATE	SHEET NO.	1 of 1	
Tony Kao	07/02/25			

ITEM NO.	DESCRIPTION	DRAWN	DATE