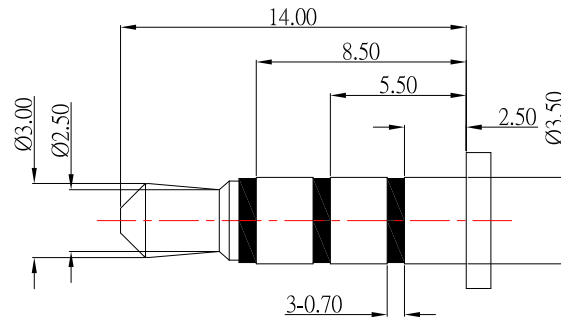
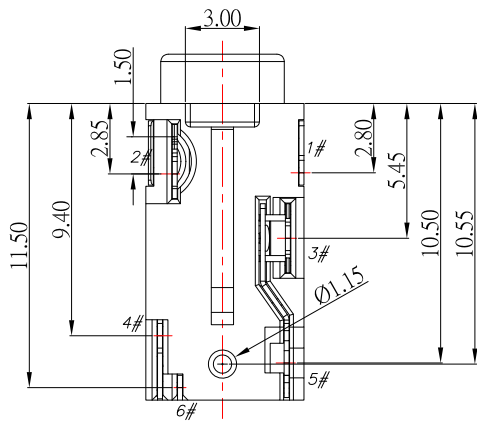
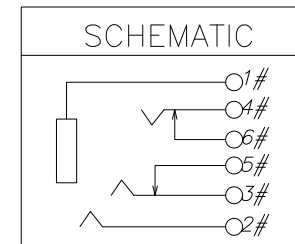


P.C.B LAYOUT
TOP VIEW



(Ø3.50mm 4 POLE PLUG DETAIL DRAWING)



SPECIFICATION

1. Rating : 1.0A ;
2. Contact resistance : $\leq 50m\Omega$;
3. Insulation resistance : $\geq 100M\Omega$;
4. Withstand voltage : 500VAC ;
5. Insertion and extraction force : 3-30N;
6. life test : 5,000 cycles .

ITEM	NAME	Q'TY	DESCRIPTION
7	TERMINAL 6#	1	PHOSPHOR BRONZE; NICKEL UNDER PLATING OVERALL, GOLD PLATING ON SOLDER AREA ;GOLD PLATING ON CONTACT AREA
6	TERMINAL 5#	1	PHOSPHOR BRONZE; NICKEL UNDER PLATING OVERALL, GOLD PLATING ON SOLDER AREA ;GOLD PLATING ON CONTACT AREA
5	TERMINAL 4#	1	PHOSPHOR BRONZE; NICKEL UNDER PLATING OVERALL, GOLD PLATING ON SOLDER AREA ;GOLD PLATING ON CONTACT AREA
4	TERMINAL 3#	1	PHOSPHOR BRONZE; NICKEL UNDER PLATING OVERALL, GOLD PLATING ON SOLDER AREA ;GOLD PLATING ON CONTACT AREA
3	TERMINAL 2#	1	PHOSPHOR BRONZE; NICKEL UNDER PLATING OVERALL, GOLD PLATING ON SOLDER AREA ;GOLD PLATING ON CONTACT AREA
2	TERMINAL 1#	1	BRASS; THE BOTTOM OF THE NICKEL; THE WHOLE GOLD PLATING.
1	HOUSING	1	PART, COLOR BLACK

CONTACT 建倚科技股份有限公司
CONTACT TECHNOLOGY CORP.

TOLERANCE UNLESS OTHERWISE STATED :
Up to 5 ±0.2
Above 5 ~ 15 ±0.3
Above 15 ~ 30 ±0.4
Above 30 ~ 50 ±0.5
Angle ±0.3

3RD. ANGEL'S

UNITS MM

DRAWN BY:	DATE	MAT'L	TITLE	JACK
Jack Lu	05/26/25	FINISH	MODLE	PHONE JACK
CHECKED BY:	DATE	SCALE	DWG NO.	PJ-T32307S-S457
Jacky Chen	05/26/25	1 : 1	PART NO.	PJ-T32307S-S457
APPROVED BY:	DATE	SHEET NO.	1 of 1	
Tony Kao	05/26/25			

ITEM NO.	DESCRIPTION	DRAWN	DATE