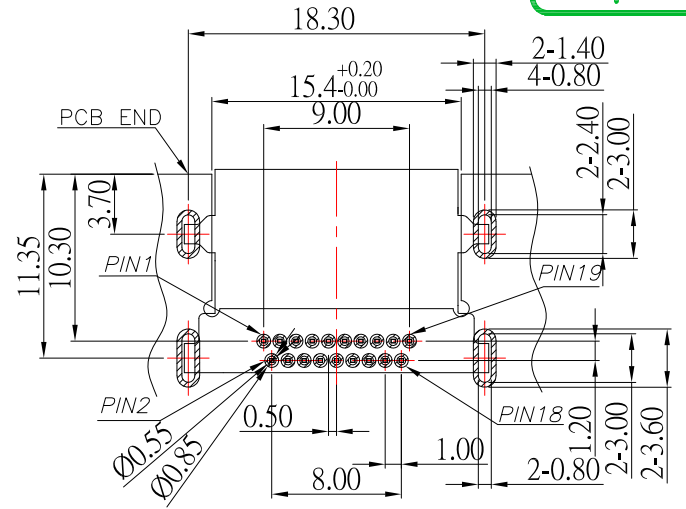
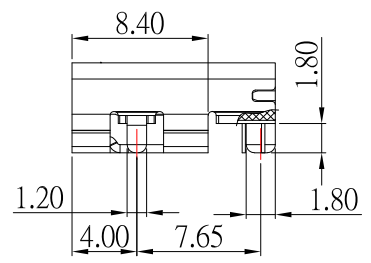
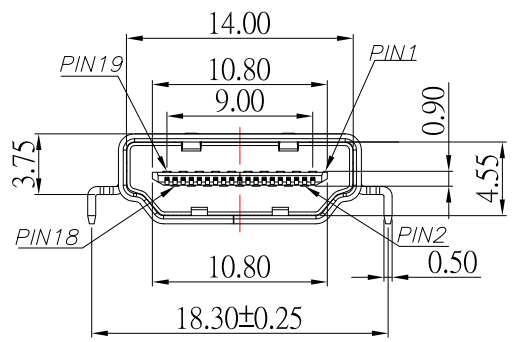
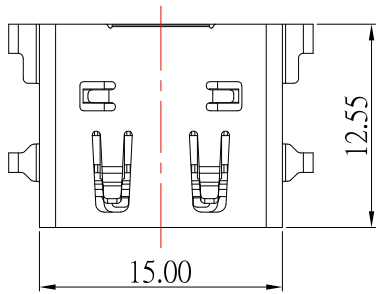




### HDMI-19P-D12xx-S297

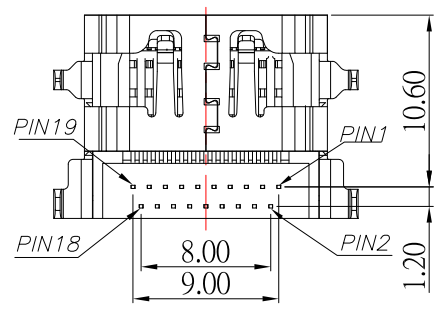
SHELL MATERIAL:		SHELL PLATED :	
Blank	Brass	Blank	NI
I	SPCC	G	GOLD



### P.C.B. LAYOUT

**NOTE:**

- 1.MATERIAL:
  - 1.1 HOUSING: LCP , BLACK
  - 1.2 CONTACT: BRASS
  - 1.3 SHEEL: BRASS / SPCC
- 2.PLATING :
  - 2.1 CONTACT: PLATED GOLD IN MATING AREA ;  
GOLD PLATED ON SOLDER BALLS ;  
TIN UNDER PLATED OVERALL
  - 2.2 SHELL: GOLD OR NICKEL UNDER PLATED SURFACE LAYER
- 3.ELECTRICAL:
  - 3.1 RATING: 40V, 0.5A
  - 3.2 INSULATION RESISTANCE: 100MΩ MIN
  - 3.3 CONTACT RESISTANCE: 30 mΩ MAX
  - 3.4 OPERATING TEMPERATURE: -25°C~ 85°C



**CONTACT** 建倚科技股份有限公司  
CONTACT TECHNOLOGY CORP.

DRAWN BY:	DATE	MAT'L	TITLE	CONNECTOR
Jack Lu	04/07/25			
CHECKED BY:	DATE	FINISH	MODLE	HDMI AF 正向沉板 四K脚四反向彈片 殼面有耳PIN長1.8
Jacky Chen	04/07/25			
APPROVED BY:	DATE	SCALE	DWG NO.	HDMI-19P-D12xx-S297
Tony Kao	04/07/25	1 : 1		
		SHEET NO.	PART NO.	HDMI-19P-D12xx-S297
		1 of 1		

1	更新圖面	Jack	040725
ITEM NO.	DESCRIPTION	DRAWN	DATE

TOLERANCE UNLESS OTHERWISE STATED :	Up to 5 ±0.2	3RD. ANGEL'S	UNITS	MM
	Above 5 ~ 15 ±0.3			
	Above 15 ~ 30 ±0.4			
	Above 30 ~ 50 ±0.5			
	Angle ±0.3			