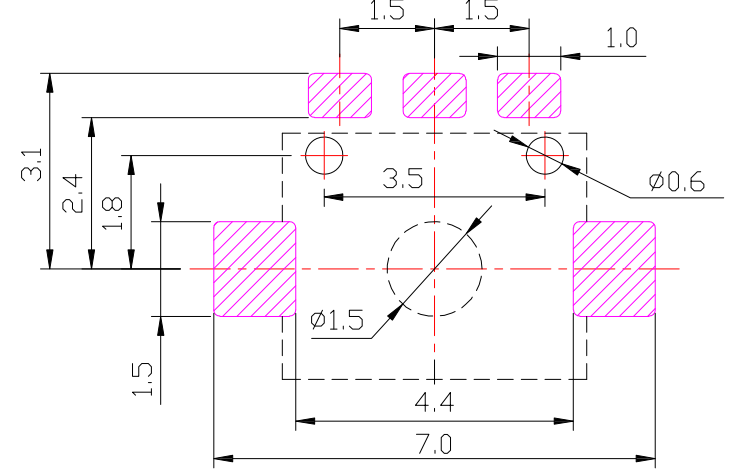
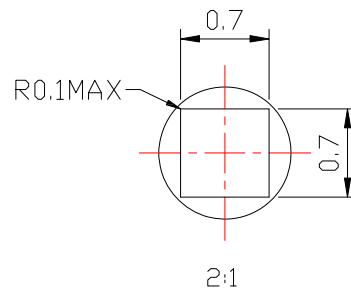
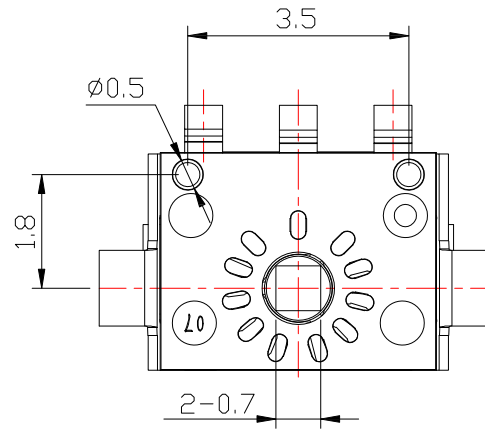
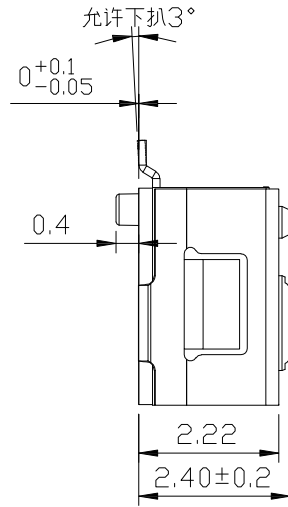
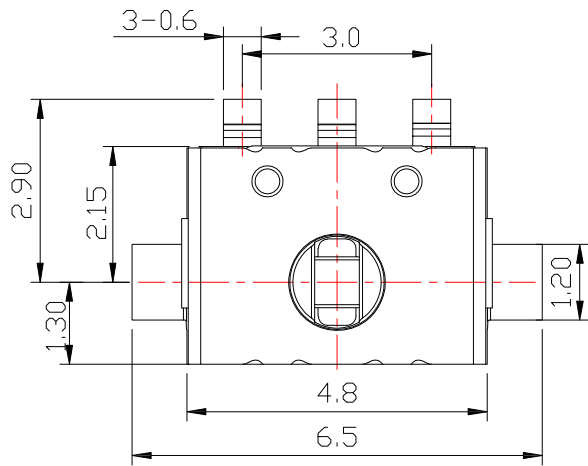


CW ROTATION



PCB LAYOUT



1. Material list

ITEM	NAME	MATERIAL
1	Cover	Stainless Steel Strips
2	Anchor Plate	Stainless Steel Strips
3	Wheel gear	(PA)
4	Base	(PA Black)
5	Contact Spring	Copper alloy
6	Terminal	Copper alloy

CONTACT 建倚科技股份有限公司
CONTACT TECHNOLOGY CORP.

TOLERANCE UNLESS OTHERWISE STATED :
 Up to 5 ±0.2
 Above 5 ~ 15 ±0.3
 Above 15 ~ 30 ±0.4
 Above 30 ~ 50 ±0.5
 Angle ±0.3

3RD. ANGEL'S



UNITS MM

DRAWN BY: Jack Lu
 CHECKED BY: Jacky Chen
 APPROVED BY: Tony Kao

DATE: 02/14/25

MATL	TITLE	ENCODER
FINISH	MODLE	ENCODER
SCALE: 1 : 1	DWG NO. K30-12P-S476	SIZE: A4
SHEET NO. 1 of 1	PART NO. K30-12P-S476	VER: R

ITEM NO.	DESCRIPTION	DRAWN	DATE