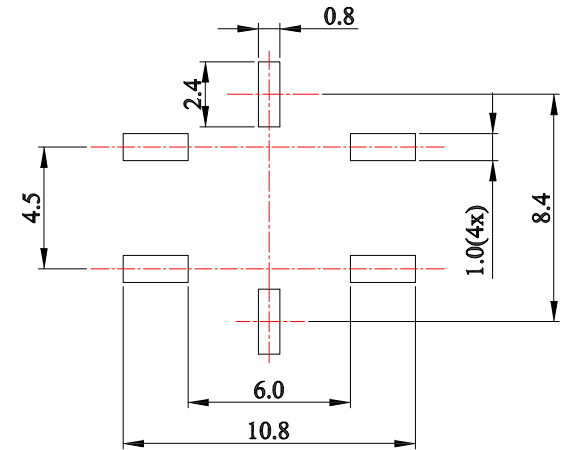
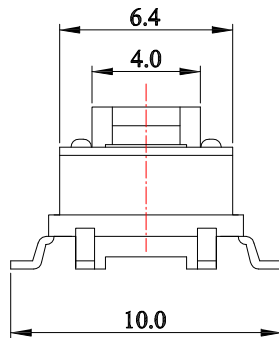
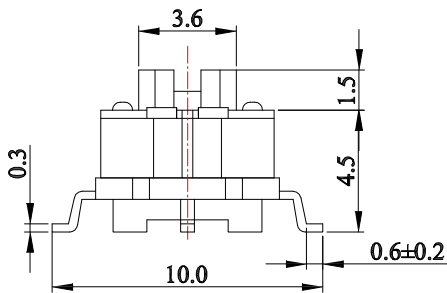


CIRCUIT DIAGRAM

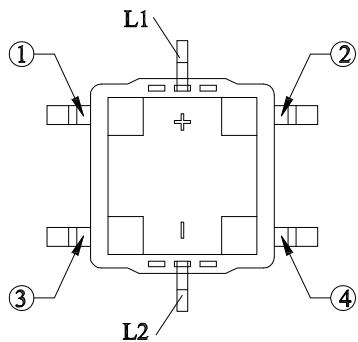


P.C.B LAYOUT



SPECIFICATIONS

Switch Rating	DC 12V, 50mA
Travel	0.25±0.10mm
Contact Resistance	100mΩ Max.
Operating Force	160±50gf
Operating Life (cycles)	100,000



COLOR OF LED

0	Without	1	Red
2	Green	3	Orange
4	Yellow	7	Blue
8	White		

NO.	DESCRIPTION	QTY	MATERIAL	PLATING
6	LED	1		
5	COVER	1	PA6T	Natural
4	CONTACT	1	PHOSPHOR BRONZE	Ag plated
3	TERMINAL	4	BRASS	Ag plated
2	CASE	1	PA6T	Black
1	KNOB	1	PA46	Black

ITEM NO.	DESCRIPTION	DRAWN	DATE
3	更新圖面	Jack	011425
2	新增SPEC	Jack	072519
1	更新圖面	Jack	072419

CONTACT 建倚科技股份有限公司
CONTACT TECHNOLOGY CORP.

TOLERANCE UNLESS OTHERWISE STATED :
 Up to 5 ±0.2
 Above 5 ~ 15 ±0.3
 Above 15 ~ 30 ±0.4
 Above 30 ~ 50 ±0.5
 Angle ±0.3

3RD. ANGEL'S

UNITS MM

DRAWN BY:	DATE	MAT'L	TITLE	SWITCH
Jack Lu	01/15/25	FINISH	MODLE	TACT SWITCH WITH LED
CHECKED BY:	DATE	SCALE	DWG NO.	TS-M5-x-C0-E0-S313
Jacky Chen	01/15/25	1 : 1	PART NO.	TS-M5-x-C0-E0-S313
APPROVED BY:	DATE	SHEET NO.	1 of 1	
Tony Kao	01/15/25			

SIZE	A4
VER	R3