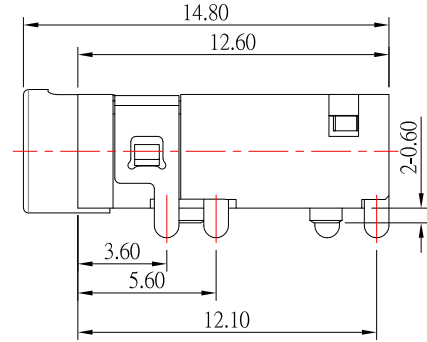
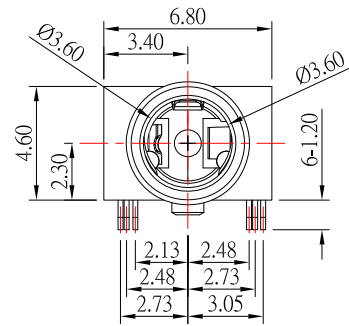
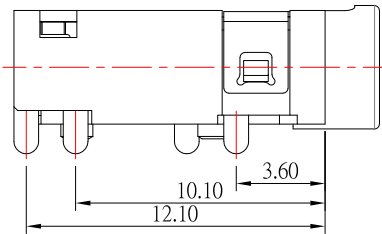
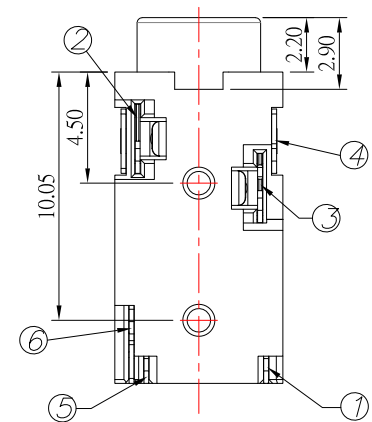
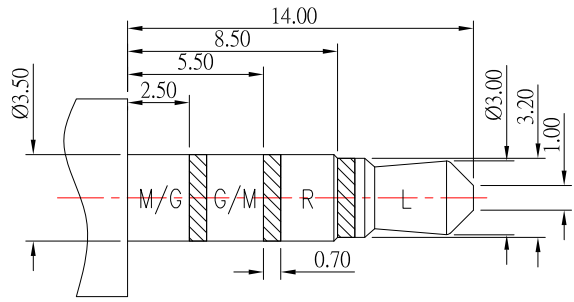
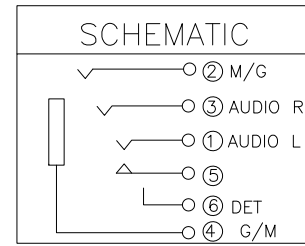


P.C.B LAYOUT
TOP VIEW



SPECIFICATION

1. Rating : 12V ; 1.0A ;
2. Contact resistance : $\leq 100m\Omega$;
3. Insulation resistance : $\geq 100M\Omega$;
4. Withstand voltage : 500VAC ;
5. Insertion and extraction force : 3-30N;
6. life test : 5,000 cycles °



7	HOUSING	1	PA9T ; BLACK
6	TERMINAL 6#	1	PHOSPHOR BRONZE ; NICKEL UNDER PLATING OVERALL, GOLD PLATING ON SOLDER & CONTACT AREA
5	TERMINAL 5#	1	
4	TERMINAL 4#	1	SUSL ; NICKEL UNDER PLATING OVERALL, GOLD PLATING ON SOLDER & CONTACT AREA
3	TERMINAL 3#	1	
2	TERMINAL 2#	1	PHOSPHOR BRONZE; NICKEL UNDER PLATING OVERALL, GOLD PLATING ON SOLDER & CONTACT AREA
1	TERMINAL 1#	1	
ITEM	NAME	Q'TY	DESCRIPTION



1	更新圖面	Jack	041526
ITEM NO.	DESCRIPTION	DRAWN	DATE

TOLERANCE UNLESS OTHERWISE STATED :	Up to 5 ±0.2	3RD. ANGEL'S	UNITS	MM
	Above 5 ~ 15 ±0.3			
	Above 15 ~ 30 ±0.4			
	Above 30 ~ 50 ±0.5			
	Angle ±0.3°			

DRAWN BY:	DATE	MAT'L	TITLE	JACK
Jack Lu	04/15/26			
CHECKED BY:	DATE	FINISH	MODLE	PHONE JACK
Jacky Chen	04/15/26			
APPROVED BY:	DATE	SCALE	DWG NO.	PJ-T32307I-S457
Tony Kao	04/15/26	1 : 1		
		SHEET NO.	PART NO.	PJ-T32307I-S457
		1 of 1		
				SIZE A4
				VER R1