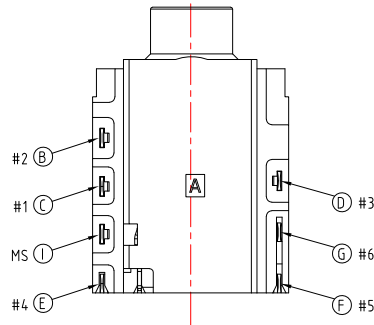
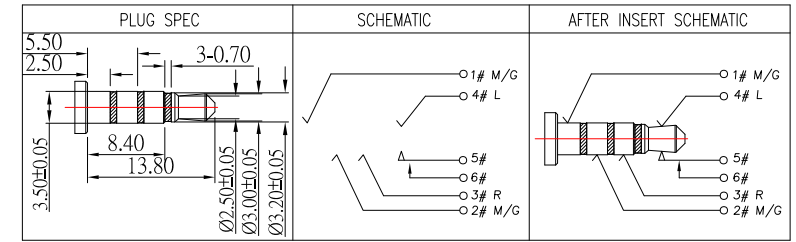
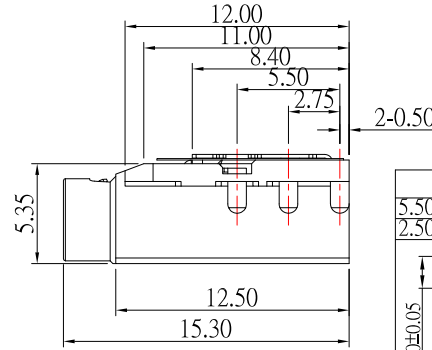
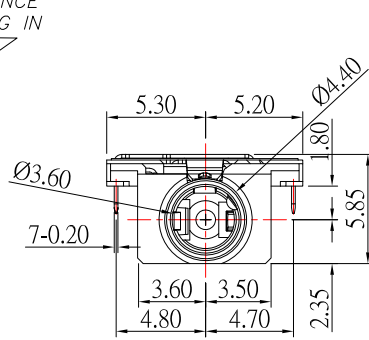
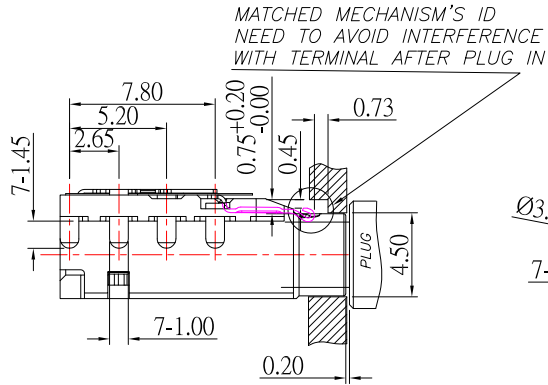


P.C.B LAYOUT  
TOP VIEW



**SPECIFICATION**

1. Rating : 12V ; 0.5A ;
2. Contact resistance :  $\leq 50m\Omega$  ;
3. Insulation resistance :  $\geq 1000M\Omega$  ;
4. Withstand voltage : 500VAC ;
5. Insertion and extraction force : 3-30N ;
6. life test : 5,000 cycles °

(J)	MYLAR	1	KAPTON	YELLOW
(I)	SHELL	1	Stainless steel	Ni
(H)	SEPARATOR	1	PA10T	BLACK
(G)	MAKE TERNINAL	1	PHOSPHOR BRONZE	CONTACT AREA: GF SOLDER AREA: GF, Ni OVER ALL
(F)	TRANSFER TERMINAL	1	PHOSPHOR BRONZE	CONTACT AREA: GF SOLDER AREA: MATTE TIN Ni OVER ALL
(E)	TIP SPRING	1	PHOSPHOR BRONZE	
(D)	RING A	1	PHOSPHOR BRONZE	
(C)	EARTH	1	PHOSPHOR BRONZE	
(B)	RING B	1	PHOSPHOR BRONZE	
(A)	BODY	1	PA10T	BLACK
NO.	PART NAME	QTY	MATERIAL	DESCRIPTION

**CONTACT** 建倚科技股份有限公司  
**CONTACT TECHNOLOGY CORP.**

TOLERANCE UNLESS OTHERWISE STATED :	Up to 5 ±0.2 Above 5 ~ 15 ±0.3 Above 15 ~ 30 ±0.4 Above 30 ~ 50 ±0.5 Angle ±0.3°	3RD. ANGEL'S		UNITS	MM
-------------------------------------	--	--------------	--	-------	----

DRAWN BY:	DATE	MAT'L	TITLE	JACK
Jack Lu	05/19/25	FINISH	MODLE	PHONE JACK 4段1開關段 沉板板下 CH1.8
CHECKED BY:	DATE	SCALE	DWG NO.	PJ-S32309E-S457
Jacky Chen	05/19/25	1 : 1	PART NO.	PJ-S32309E-S457
APPROVED BY:	DATE	SHEET NO.	1 of 1	
Tony Kao	05/19/25			

ITEM NO.	DESCRIPTION	DRAWN	DATE