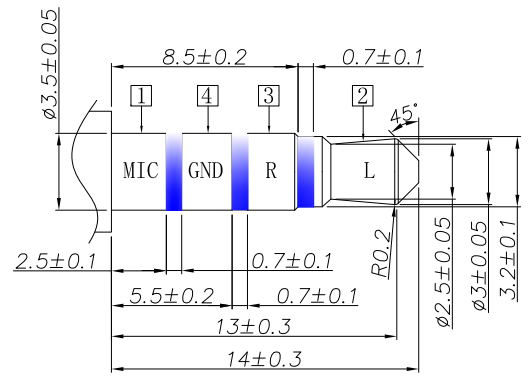
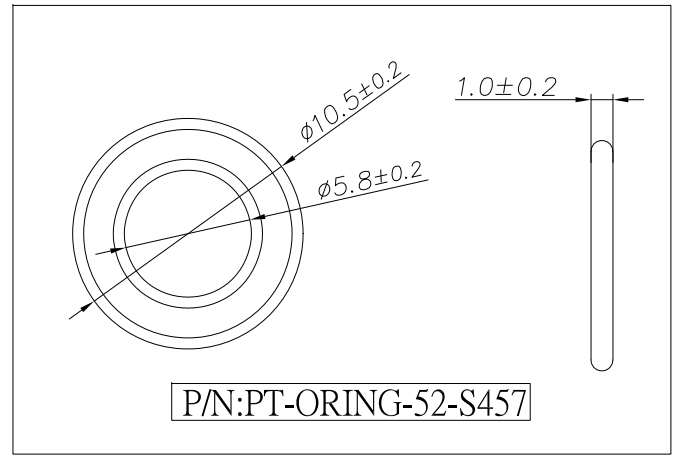
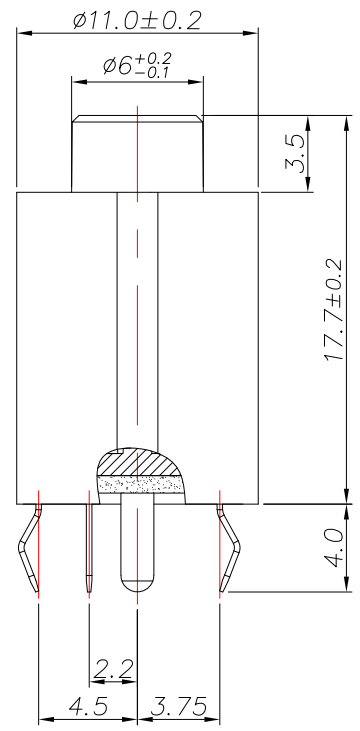
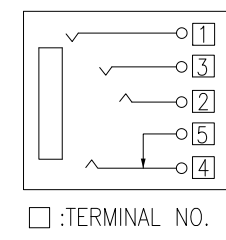


PCB LAYOUT
(BOTTOM VIEW)



Matching Plug



□ : TERMINAL NO.

SPECIFICATION

- Contact resistance : $\leq 30m\Omega$
- Insulation resistance : $\geq 100M\Omega$
- Withstand voltage : 500VAC
- Insertion and extraction force : 3-30N
- life test : 5,000 cycles
- Waterproof Lever: IPX7

⑧	BOND	1	Epoxy resin(Black)	
⑦	SHUNT TERMINAL	⑤	BRASS	Ni undreplating, Sn Plating
⑥	RING SPRING-2	④	PHOSPHOR BRONZE	Ni undreplating, Sn Plating
⑤	RING SPRING-1	③	PHOSPHOR BRONZE	Ni undreplating, Sn Plating
④	TIP SPRING	②	PHOSPHOR BRONZE	Ni undreplating, Sn Plating
③	EARTH SPRING	①	PHOSPHOR BRONZE	Ni undreplating, Sn Plating
②	COVER	1	PBT(Black)	
①	HOUSING	1	PBT(Black)	
LTR	PART NAME	QTY	MATERIAL	REMARK

1	新增防水膠圈	Jack	051225
ITEM NO.	DESCRIPTION	DRAWN	DATE

CONTACT 建倚科技股份有限公司
CONTACT TECHNOLOGY CORP.

TOLERANCE UNLESS OTHERWISE STATED :

Up to 5	± 0.2	3RD. ANGEL'S		UNITS	MM
Above 5 ~ 15	± 0.3				
Above 15 ~ 30	± 0.4				
Above 30 ~ 50	± 0.5				
Angle	$\pm 0.3^\circ$				

DRAWN BY:	DATE	MAT'L	TITLE	JACK
Jack Lu	05/12/25	FINISH	MODLE	3.5mm PHONE JACK 直立式防水型
CHECKED BY:	DATE	SCALE	DWG NO.	PJ-WP32390NV-S457
Jacky Chen	05/12/25	1 : 1	PART NO.	PJ-WP32390NV-S457
APPROVED BY:	DATE	SHEET NO.	1 of 1	
Tony Kao	05/12/25			
				SIZE A4
				VER R1