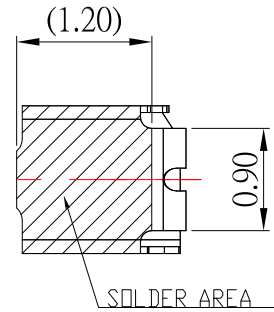
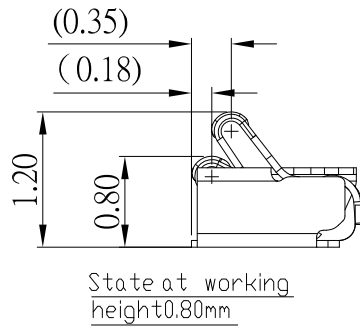
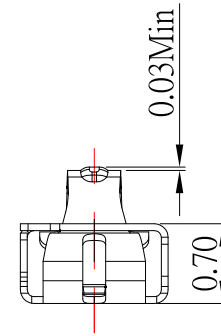
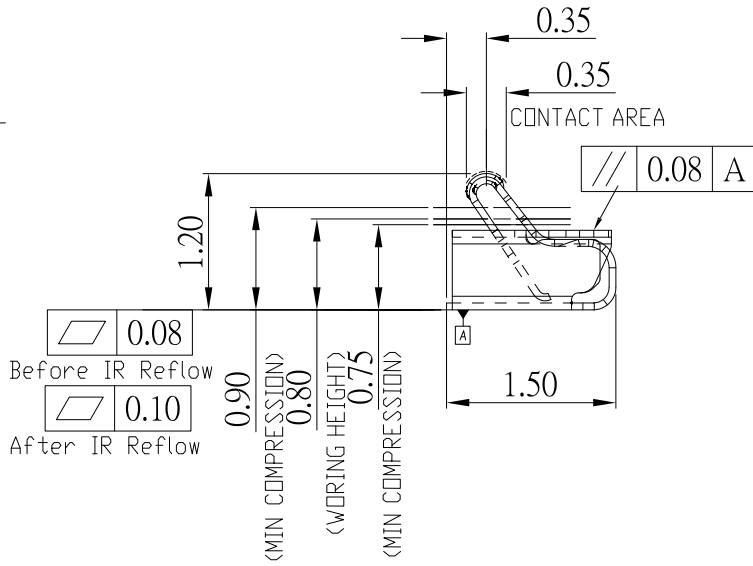
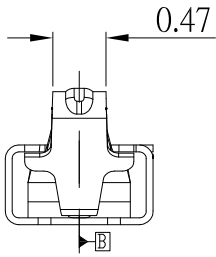


P.C.B LAYOUT



PRODUCT NO.

1. SPECIFICATIONS:

- 1.1. CONTACT RESISTANCE: 80 mΩ MAX
- 1.2. VOLTAGE RATING: 1.5V/AC/DC/MAX
- 1.3. CURRENT RATING: 1.0A/MAX
- 1.4. PRE-LOAD FORCE: 0.5±0.1N ON CONTACT POINT
- 1.5. MAX.BEAM DEFLECTION: 0.7±0.1N ON CONTACT POINT
- 1.6. DURABILITY: 2000 CYCLES
- 1.7. OPERATING TEMPERATURE: -20°C~80°C

2. MATERIAL:

- 2.1. STAINLESS STEEL

3. FINISH:

- 3.1 NICKEL UNDERPLATING OVERALL

**CONTACT** 建倚科技股份有限公司  
**CONTACT TECHNOLOGY CORP.**

TOLERANCE UNLESS OTHERWISE STATED:  
Up to 5 ±0.2  
Above 5 ~ 15 ±0.3  
Above 15 ~ 30 ±0.4  
Above 30 ~ 50 ±0.5  
Angle ±0.3

3RD. ANGEL'S

UNITS MM

DRAWN BY: Jack Lu  
DATE: 05/29/25  
CHECKED BY: Jacky Chen  
DATE: 05/29/25  
APPROVED BY: Tony Kao  
DATE: 05/29/25

MATL		TITLE	CONNECTOR
FINISH		MODLE	Antenna Spring Terminal SMT TYPE H:1.1mm
SCALE	1 : 1	DWG NO.	AST-08-S486
SHEET NO.	1 of 1	PART NO.	AST-08-S486
		SIZE	A4
		VER	R

ITEM NO.	DESCRIPTION	DRAWN	DATE