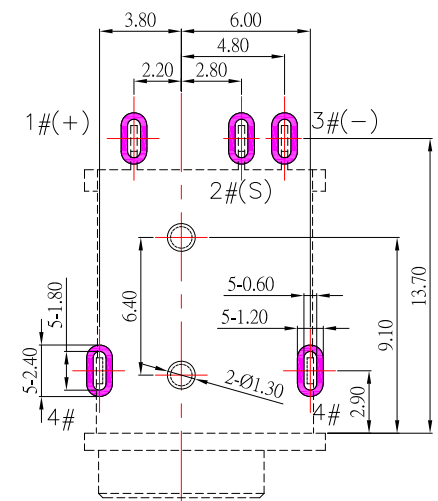
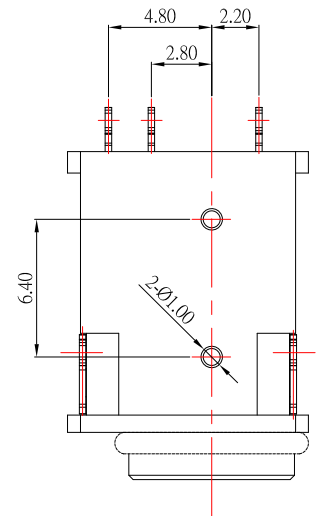
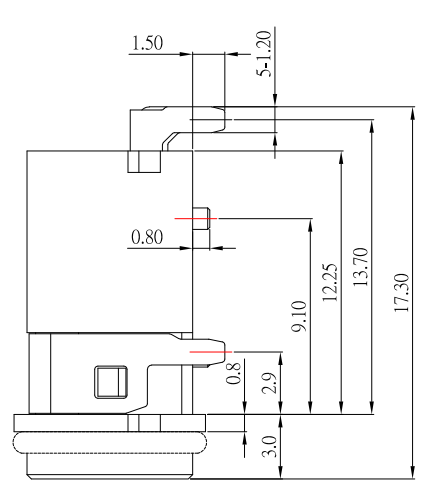
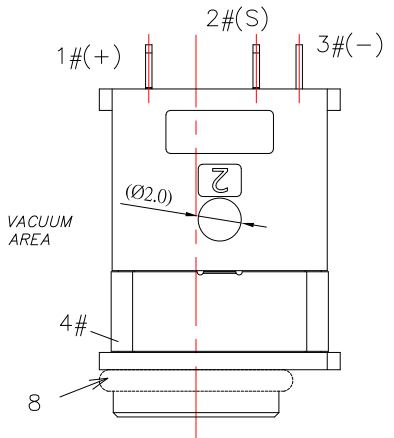
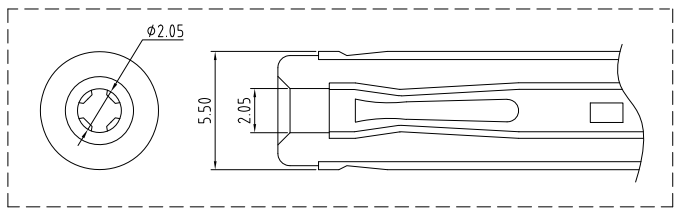
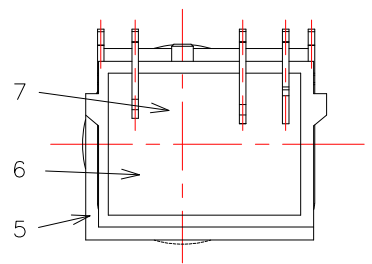


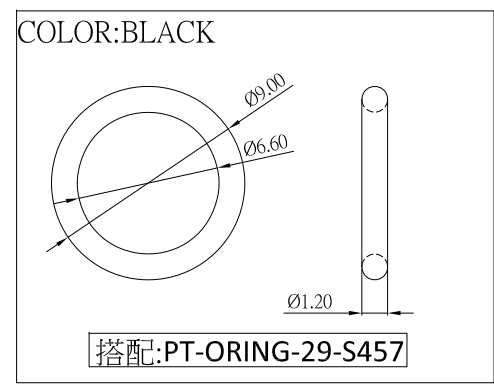
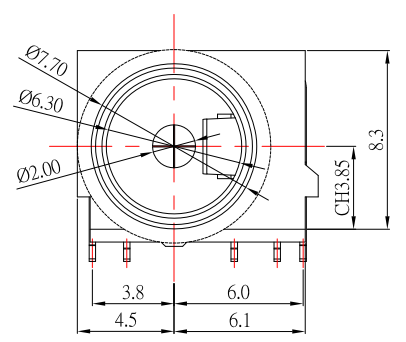
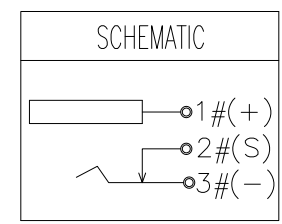
IPX7



P.C.B LAYOUT

SPECIFICATION

1. Rating : DC 36V , 5.0A
2. Contact resistance : $\leq 50m\Omega$
3. Insulation resistance : $\geq 100M\Omega$
4. Withstand voltage : 500VAC
5. Insertion and extraction force : 3-35N
6. life test : 5,000 cycles



8	WATERPROOF RING	1	SILICONE; BLACK
7	GLUE	1	EPOXY; BLACK
6	BACK COVER	1	PA10T; BLACK
5	HOUSING	1	PA10T; BLACK
4	TERMINAL 4#	1	SUS; NICKEL PLATING
3	TERMINAL 3#	1	BRASS; NICKEL UNDERPLATING OVERALL, Au PLATING ON SOLDER AREA
2	TERMINAL 2#	1	PHOSPHOR BRONZE; NICKEL UNDERPLATING OVERALL, Au PLATING ON THE WHOLE
1	CENTER PIN	1	BRASS; NICKEL UNDERPLATING OVERALL, Au PLATING ON SOLDER AREA
ITEM	NAME	Q'TY	DESCRIPTION

1	更新O-RING尺寸	Jack	033026
ITEM NO.	DESCRIPTION	DRAWN	DATE

CONTACT 建倚科技股份有限公司
CONTACT TECHNOLOGY CORP.

TOLERANCE UNLESS OTHERWISE STATED:

Up to 5	± 0.2	3RD. ANGEL'S	UNITS	MM
Above 5 ~ 15	± 0.3			
Above 15 ~ 30	± 0.4			
Above 30 ~ 50	± 0.5			
Angle	$\pm 0.3'$			

DRAWN BY:	DATE	MAT'L	TITLE	JACK
Jack Lu	03/30/26	FINISH	MODLE	防水 DC JACK
CHECKED BY:	DATE	SCALE	DWG NO.	DC-WP3090B-2.0-S457
Jacky Chen	03/30/26	1 : 1	PART NO.	DC-WP3090B-2.0-S457
APPROVED BY:	DATE	SHEET NO.	1 of 1	
Tony Kao	03/30/26			

SIZE	A4
VER	R1