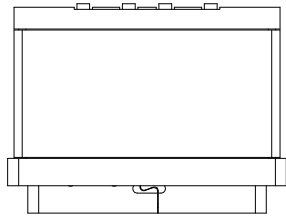


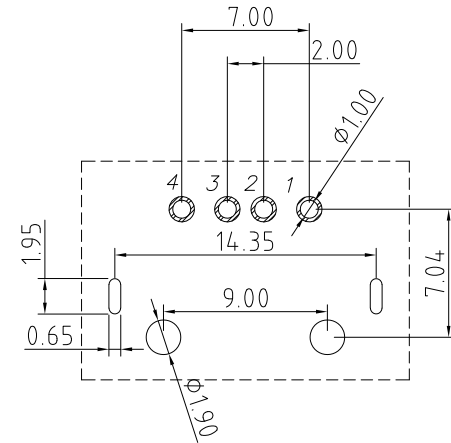


IPX8



PIN ASSIGNMENT

PIN NO.	1	2	3	4
SIGNAL NAME	GND	D+	D-	VBUS



PCB LAYOUT(TOP VIEW)

SPECIFICATIONS

1.MATERIAL:

- 1.1.HOUSING: PA10T , Black
- 1.2.CONTACT: BRASS
- 1.3.SHEEL: SUS
- 1.4.PLASTIC SHEEL: PA9T , Black

2.FINISH:

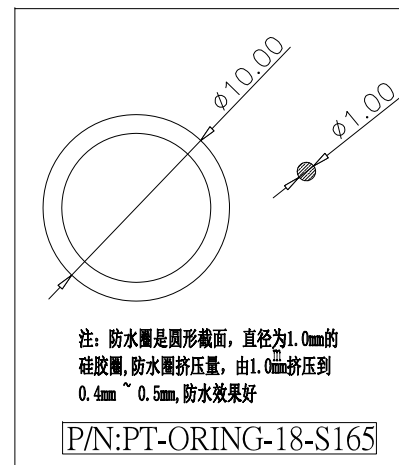
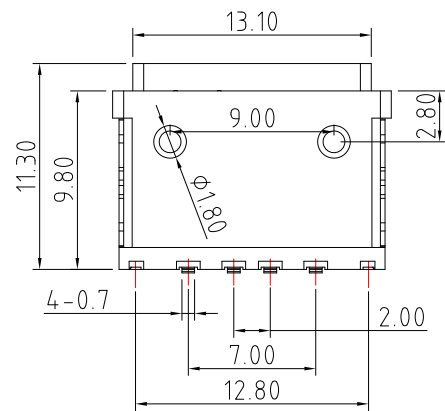
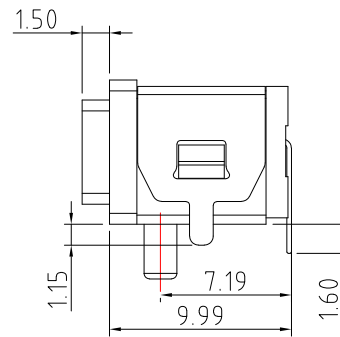
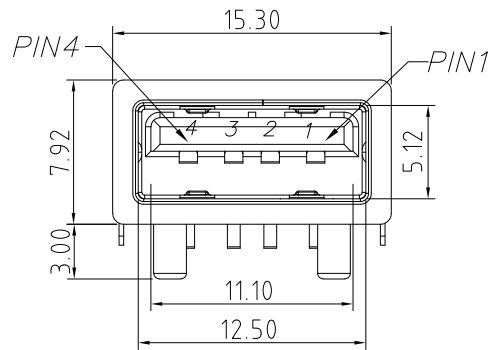
- 2.1.MOUNTING PLATED GOLD IN MATING AREA
- 2.2.GOLD PLATED ON SOLDER BALLS
- 2.3.NICKEL UNDER PLATED OVERALL
- 2.4.SHEEL METAL UNDER PLATED CONTACT LAYER

3.MECHANICAL:

- 3.1.MATING FORCE: 8~35N
- 3.2.UNMATING FORCE: 8~35N

4.ELECTRIC:

- 4.1 RATING: 3.0A
- 4.2.CONTACT RESISTANCE: 30 m Ω Max
- 4.3.INSULATION RESISTANCE: 1000 M Ω Min
- 4.4.DIELECTNIC VOLTAGE: 500V AC
- 4.5 LIFE: 1500 CYCLES



CONTACT 建倚科技股份有限公司
CONTACT TECHNOLOGY CORP.

TOLERANCE UNLESS OTHERWISE STATED :	Up to 5 ±0.2	3RD. ANGEL'S	UNITS	MM
	Above 5 ~ 15 ±0.3			
	Above 15 ~ 30 ±0.4			
	Above 30 ~ 50 ±0.5			
	Angle ±0.3			

DRAWN BY:	DATE	MATL	TITLE	CONNECTOR
Jack Lu	08/06/24			
CHECKED BY:	DATE	FINISH	MODLE	防水型 USB AF 90度 DIP
Jacky Chen	08/06/24			
APPROVED BY:	DATE	SCALE	DWG NO.	SUA-WP110H11-S165
Tony Kao	08/06/24	1 : 1		
		SHEET NO.	PART NO.	SUA-WP110H11-S165
		1 of 1		
				SIZE A4
				VER R