

SBC-WP240S3-31x-S404

IPX8

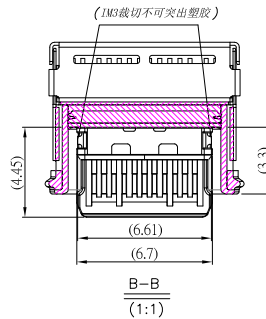
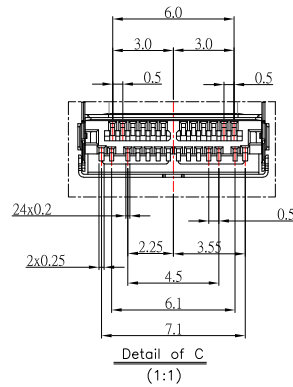
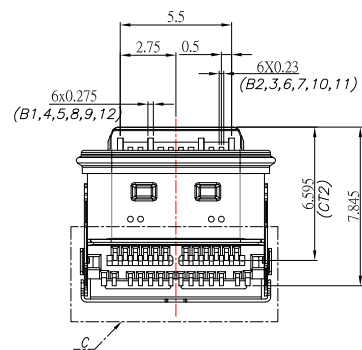
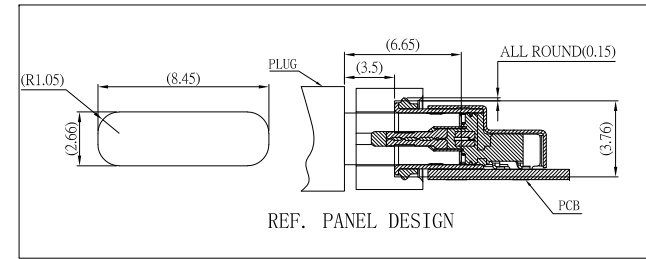
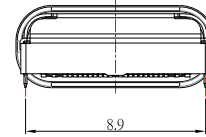
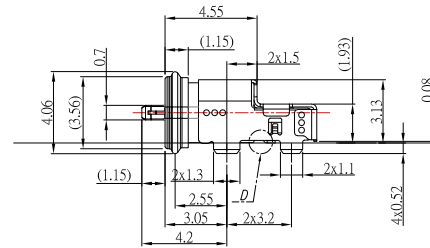
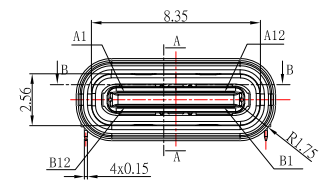
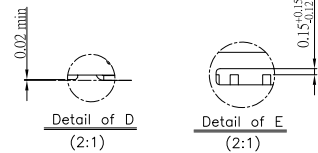
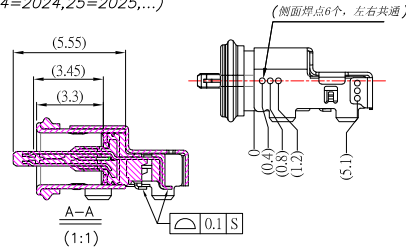
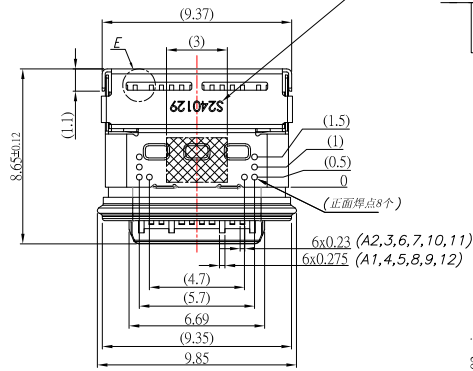


鍍層厚度:

- Blank : 1u"
- 2 : 15u"
- 3 : 30u"

DATE CODE:

S 24 01 29
 S: Day(01~31)
 24: Month(01~12)
 01: Year(24=2024,25=2025,...)



SPECIFICATIONS

Electrical:

- Rating: 5.0A
- Contact Resistance: 40 mΩ Max
- Insulation Resistance: 100 MΩ Min
- Dielectric Withstanding Voltage: 100V AC

Mechanical:

- Connector Mate and Unmate Force
 - Mate force: 5~20 N
 - Unmate force: 8~20 N

Material:

- Housing: PA9T
- Contact: C7025
- Shell: SUS

Finish:

- Contact: Plated Gold in Mating Area ;
Gold Plated on Solder Balls ;
Nickel under plated overall
- Shell: Nickel under Plated surface layer

Pin	Signal Name	Mating Sequence	Pin	Signal Name	Mating Sequence
A1	GND	First	B12	GND	First
A2	TX1+	Second	B11	RX1+	Second
A3	TX1-	Second	B10	RX1-	Second
A4	VBUS	First	B9	VBUS	First
A5	CC1	Second	B8	SBU2	Second
A6	D+	Second	B7	D-	Second
A7	D-	Second	B6	D+	Second
A8	SBU1	Second	B5	CC2	Second
A9	VBUS	First	B4	VBUS	First
A10	RX2-	Second	B3	TX2-	Second
A11	RX2+	Second	B2	TX2+	Second
A12	GND	First	B1	GND	First
SHEL	GND	---	SHEL	GND	---

CONTACT 建倚科技股份有限公司
CONTACT TECHNOLOGY CORP.

TOLERANCE UNLESS OTHERWISE STATED:
 Up to 5 ±0.2
 Above 5 ~ 15 ±0.3
 Above 15 ~ 30 ±0.4
 Above 30 ~ 50 ±0.5
 Angle ±0.3

3RD. ANGEL'S

UNITS MM

DRAWN BY:	DATE	MAT'L	TITLE	CONNECTOR
Jack Lu	02/03/25	FINISH	MODLE	USB 3.1 TYPE C 防水型 板上式 H3.13 IPX8
CHECKED BY:	DATE	SCALE	DWG NO.	SBC-WP240S3-31x-S404
Jacky Chen	02/03/25	SHEET NO.	PART NO.	SBC-WP240S3-31x-S404
APPROVED BY:	DATE	1 of 2		
Tony Kao	02/03/25			

1	新增PCB LAYOUT尺寸	Jack	020325
ITEM NO.	DESCRIPTION	DRAWN	DATE