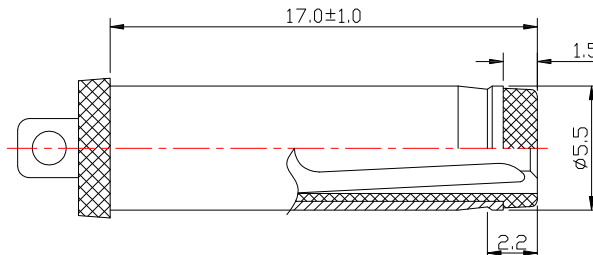
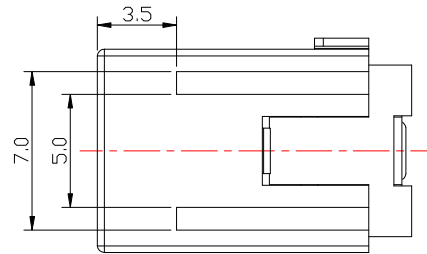
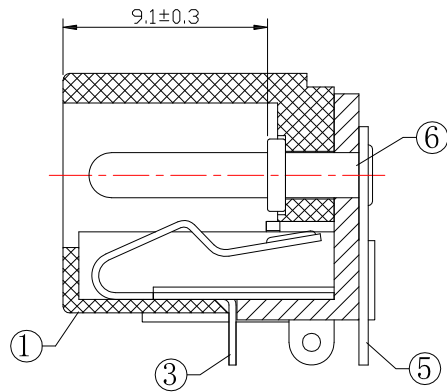


P.C.B LAYOUT MOUNTING PATTERN (TOP VIEW)



RECOMMENDED PLUG

MODEL NO.	DC-021HT-x-S124
SCHEMATIC	5(6) 4 3
CENTER PIN	φ2.0 mm
	φ2.5 mm

SPECIFICATION

- Rating : DC 30V , 3.5A
- Contact resistance : ≤ 30mΩ
- Insulation resistance : ≥ 100MΩ
- Withstand voltage : 500VAC
- Insertion and extraction force : 3-30N
- life test : 5,000 cycles

NO.	DESCRIPTION	QTY	MATERIAL	REMARK
⑥	PIN	1	Brass	Ni-Plating
⑤	FLAT FOOT	1	Brass	Ag-Plating
④	CURVE PIECE	1	Brass	Ag-Plating
③	SPRING PIECE	1	Phosphor Bronze	Ag-Plating
②	COVER	1	LCP	
①	HOUSING	1	LCP	

ITEM NO.	DESCRIPTION	DRAWN	DATE
4	更新圖面	Jack	070423
3	更新PCB LAYOUT	Jack	100121
2	新增底部樣式圖及尺寸	Jack	092721
1	更新尺寸及新增公差	Jack	092321

CONTACT 建倚科技股份有限公司
CONTACT TECHNOLOGY CORP.

TOLERANCE UNLESS OTHERWISE STATED:
 Up to 5 ±0.2
 Above 5 ~ 15 ±0.3
 Above 15 ~ 30 ±0.4
 Above 30 ~ 50 ±0.5
 Angle ±0.3

3RD. ANGEL'S

UNITS MM

DRAWN BY:	DATE	MAT'L	TITLE	JACK
Jack Lu	07/04/23			
CHECKED BY:	DATE	FINISH	MODLE	DC JACK
Jacky Chen	07/04/23			
APPROVED BY:	DATE	SCALE	DWG NO.	DC-021HT-x-S124
Tony Kao	07/04/23	1 : 1		
		SHEET NO.	PART NO.	DC-021HT-x-S124
		1 of 1		
				SIZE A4
				VER R4