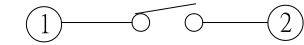
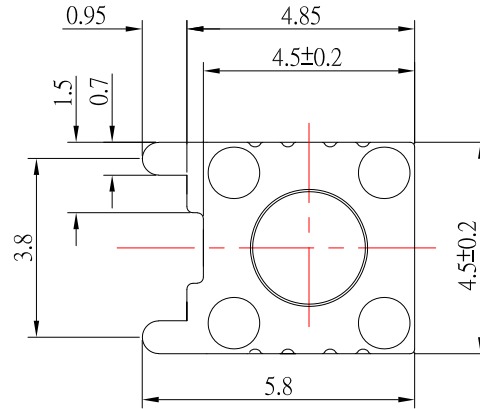
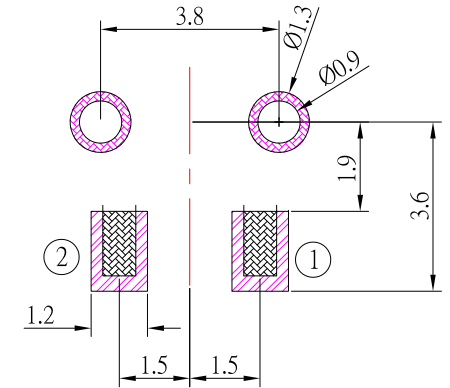


TS-A09VS1x-3-S246

MODEL NO.	X(mm)
BLANK	3.8
A	4.3
B	4.8
C	5.0
E	7.0



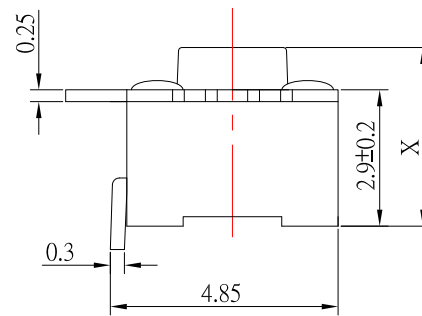
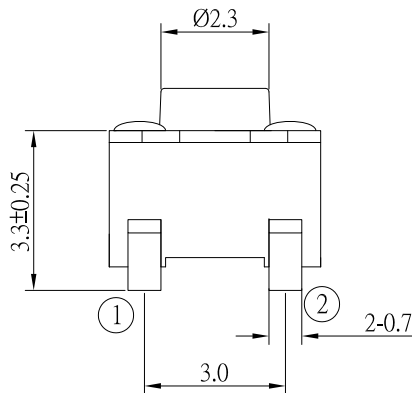
CIRCUIT DIAGRAM



PCB LAYOUT

SPECIFICATIONS

Rating	DC 12V , 50mA.
Insulation Resistance	50 MΩ Min.
Contact Resistance	100 mΩ Max.
Operating Force	250 ± 50gf
Operating Life (cycles)	50,000
Travel	0.20± 0.10mm



NO.	DESCRIPTION	QTY	MATERIAL	PLATING
E	COVER	1	BRASS	Ag plated
D	STEM	1	PPA	Gray
C	CONTACT	1	SUS	Ag plated
B	TERMINAL	2	BRASS	Ag plated
A	BASE	1	PA6T	Black

CONTACT 建倚科技股份有限公司
CONTACT TECHNOLOGY CORP.

TOLERANCE UNLESS OTHERWISE STATED :
 Up to 5 ±0.2
 Above 5 ~ 15 ±0.3
 Above 15 ~ 30 ±0.4
 Above 30 ~ 50 ±0.5
 Angle ±0.3

3RD. ANGEL'S



UNITS MM

DRAWN BY:	DATE	MAT'L	TITLE	SWITCH
Jack Lu	11/25/25	FINISH	MODLE	TACT SWITCH
CHECKED BY:	DATE	SCALE	DWG NO.	TS-A09VS1x-3-S246
Jacky Chen	11/25/25	1 : 1	DWG NO.	TS-A09VS1x-3-S246
APPROVED BY:	DATE	SHEET NO.	PART NO.	TS-A09VS1x-3-S246
Tony Kao	11/25/25	1 of 1	PART NO.	TS-A09VS1x-3-S246

ITEM NO.	DESCRIPTION	DRAWN	DATE
3	更新STEM顏色	Jack	112525
2	更新尺寸和SPEC	Jack	112425
1	新增接腳編號	Jack	110525