

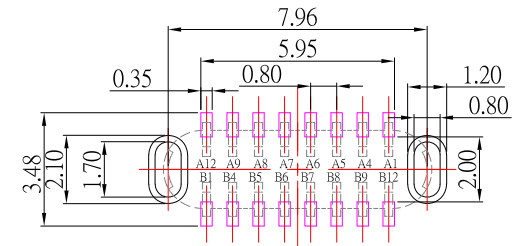
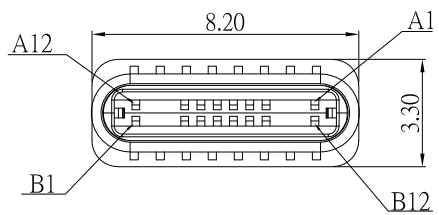
TID:10052



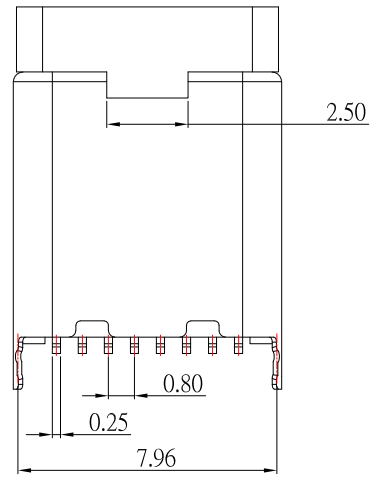
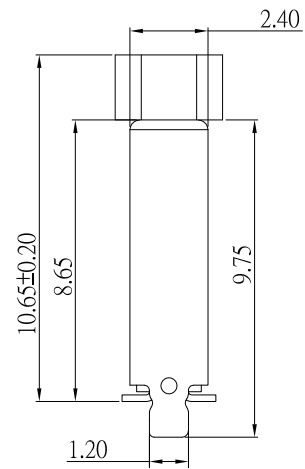
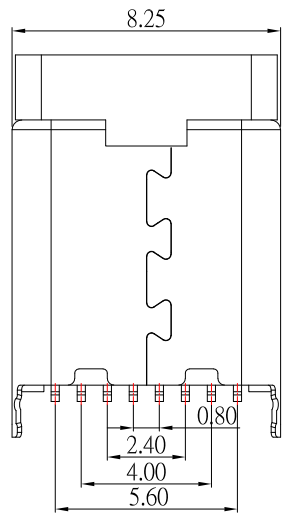
SBC-161VS2-20x-S412

鍍層厚度：

| |
|-------------|
| Blank : 1u" |
| 2 : 15u" |
| 3 : 30u" |



RECOMMENDED P.C.B. LAYOUT



SPECIFICATIONS

Electrical:

- 1.Rating: , 3.0 A
- 2.Dielectric Withstand Voltage: 100V AC
- 3.Contact Resistance: 40 mΩ Max
- 4.Insulation Resistance: 100 MΩ Min

Mechanical:

- 1.Connector Mate and Unmate Force
 - 1.1 Mate force: 5~20 N
 - 1.2 Unmate force: 8~20 N

Material:

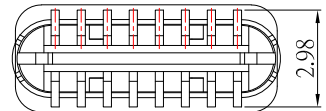
- 1.Housing: LCP
- 2.Contact: C7025
- 3.Shell: SUS

Finish:

- 1.Contact: Plated Gold in Mating Area ;
Tin Plated on Solder Balls ;
Nickel under plated overall
- 2.Shell: Nickel under Plated surface layer

USB TYPE-C PIN ASSIGNMENTS

| | | | | | | | | | | | | |
|-------------|-----|-----|-----|------|------|----|----|------|------|-----|-----|-----|
| PIN NUMBER | A1 | A2 | A3 | A4 | A5 | A6 | A7 | A8 | A9 | A10 | A11 | A12 |
| SIGNAL NAME | GND | | | VBUS | CC1 | D+ | D- | SBU1 | VBUS | | | GND |
| PIN NUMBER | B12 | B11 | B10 | B9 | B8 | B7 | B6 | B5 | B4 | B3 | B2 | B1 |
| SIGNAL NAME | GND | | | VBUS | SBU2 | D- | D+ | CC2 | VBUS | | | GND |



| | | | |
|----------|-------------|-------|--------|
| 2 | 更新樣式 | Jack | 052424 |
| 1 | 新增 TID 號碼 | Jack | 092823 |
| ITEM NO. | DESCRIPTION | DRAWN | DATE |

CONTACT 建倚科技股份有限公司
CONTACT TECHNOLOGY CORP.

| | | | | | | | | |
|-------------------------------------|--------------|-------------------|--------------------|--------------------|------------|--------------|-------|----|
| TOLERANCE UNLESS OTHERWISE STATED : | Up to 5 ±0.2 | Above 5 ~ 15 ±0.3 | Above 15 ~ 30 ±0.4 | Above 30 ~ 50 ±0.5 | Angle ±0.3 | 3RD. ANGEL'S | UNITS | MM |
|-------------------------------------|--------------|-------------------|--------------------|--------------------|------------|--------------|-------|----|

| | | | | |
|--------------|----------|-----------|----------|----------------------------------|
| DRAWN BY: | DATE | MATL | TITLE | CONNECTOR |
| Jack Lu | 05/24/24 | | MODLE | USB C TYPE 2.0 Male 直立式H8.65 SMT |
| CHECKED BY: | DATE | FINISH | DWG NO. | SBC-161VS2-20x-S412 |
| Jacky Chen | 05/24/24 | | SCALE | 1 : 1 |
| APPROVED BY: | DATE | SHEET NO. | PART NO. | SBC-161VS2-20x-S412 |
| Tony Kao | 05/24/24 | 1 of 1 | SIZE | A4 |
| | | | VER | R2 |