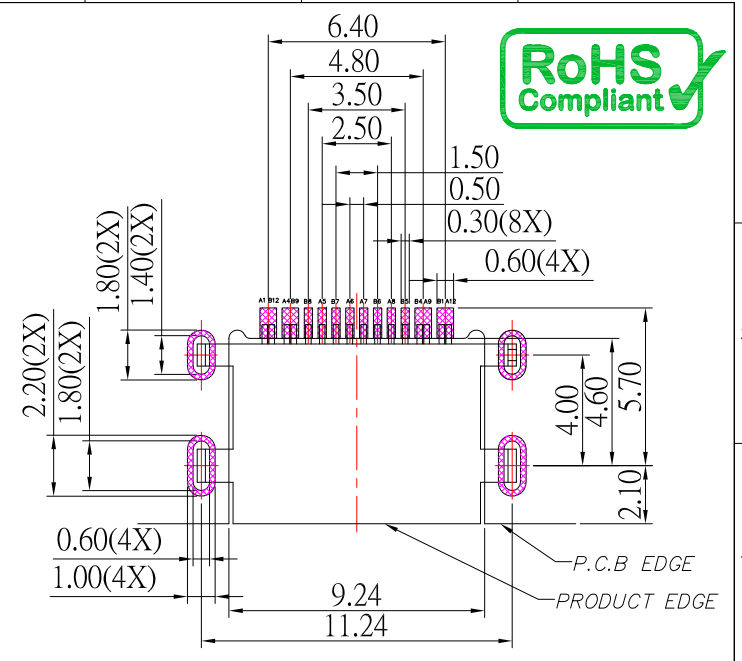
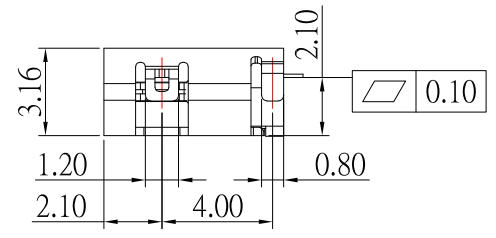
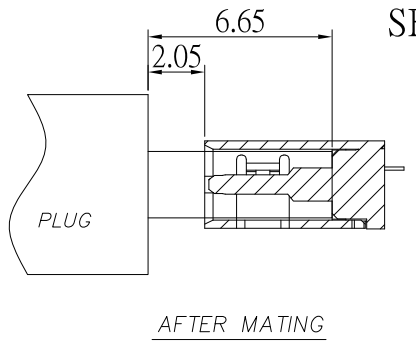
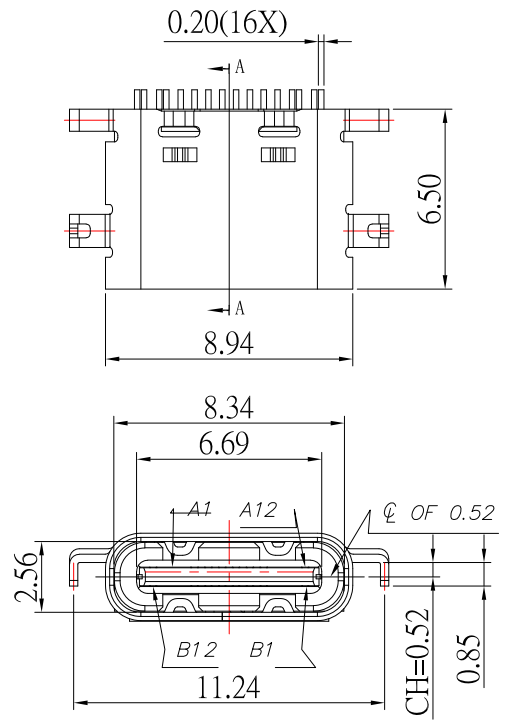


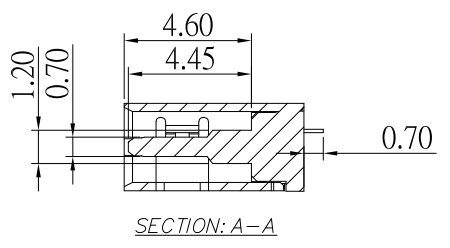
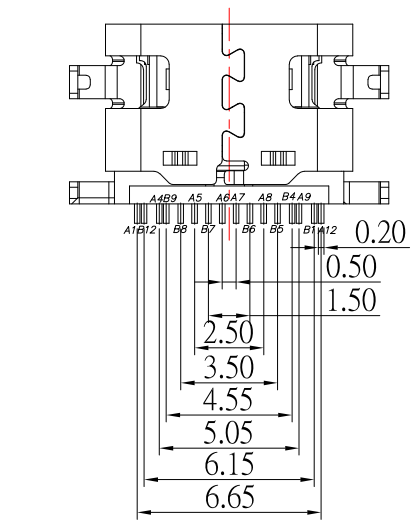


SBC-160M8H-20x-S332

鍍層厚度：
 Blank : 1u"
 2 : 15u"
 3 : 30u"



RECOMMENDED PCB LAYOUT



SECTION: A-A

USB TYPE-C PIN ASSIGNMENTS

PIN NUMBER	SIGNAL NAME	PIN NUMBER	SIGNAL NAME
A1	GND	B12	GND
A4	VBUS	B9	VBUS
A5	CC1	B8	SBU2
A6	Dp1	B7	Dn2
A7	Dn1	B6	Dp2
A8	SBU1	B5	CC2
A9	VBUS	B4	VBUS
A12	GND	B1	GND

SPECIFICATIONS

Electrical:

1. Rating: 20V , 5.0 A
2. Contact Resistance: 40 mΩ Max
3. Insulation Resistance: 100 MΩ Min

Mechanical:

1. Connector Mate and Unmate Force
 - 1.1 Mate force: 5~20 N
 - 1.2 Unmate force: 8~20 N

Material:

1. Housing: PA9T
2. Contact: C1814
3. Shell: SUS

Finish:

1. Contact: Plated Gold in Mating Area ;
Gold Plated on Solder Balls ;
Nickel under plated overall
2. Shell: Nickel under Plated surface layer

ITEM NO.	DESCRIPTION	DRAWN	DATE
3	更新Rating	Jack	112125
2	更新料號	Jack	110123
1	刪除尺寸	Jack	100523

CONTACT 建倚科技股份有限公司
CONTACT TECHNOLOGY CORP.

TOLERANCE UNLESS OTHERWISE STATED :
 Up to 5 ±0.2
 Above 5 ~ 15 ±0.3
 Above 15 ~ 30 ±0.4
 Above 30 ~ 50 ±0.5
 Angle ±0.3

3RD. ANGEL'S

UNITS MM

DRAWN BY:	DATE	MATL	TITLE	CONNECTOR
Jack Lu	11/21/25	FINISH	MODLE	USB TYPE C 2.0 沉板 2.1mm
CHECKED BY:	DATE	SCALE	DWG NO.	SBC-160M8H-20x-S332
Jacky Chen	11/21/25	1 : 1	PART NO.	SBC-160M8H-20x-S332
APPROVED BY:	DATE	SHEET NO.	1 of 1	
Tony Kao	11/21/25			